

50 mm pit depth

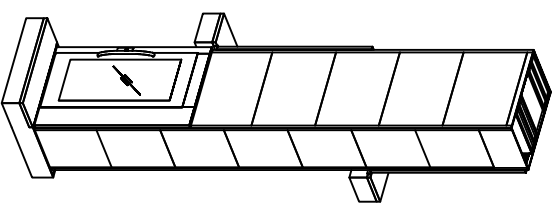
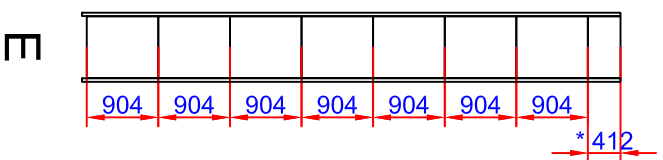
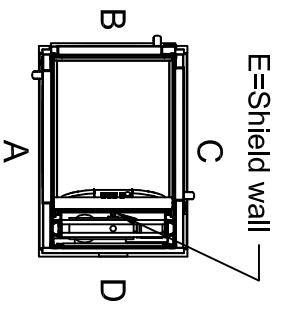
872 Lift shaft dimension

1360 Lift shaft dimension

Fixing points, 250 N

*To be adapted on site
**Customized panel

Positioning of machinery:



Options
Frekv 1x230/240V 50-60Hz 16 A Soft
Capacity: 300,00 kg

Approved by
builder:

European view placement:



Tender no

Principal drawing
A4000 - 1000*830
Shaft drawing

Order no

Gen. Tolerances
SS-ISO 27681-1 m

Date
2018-10-25

sheet
1 of 7

Scale:
A3, 1:60

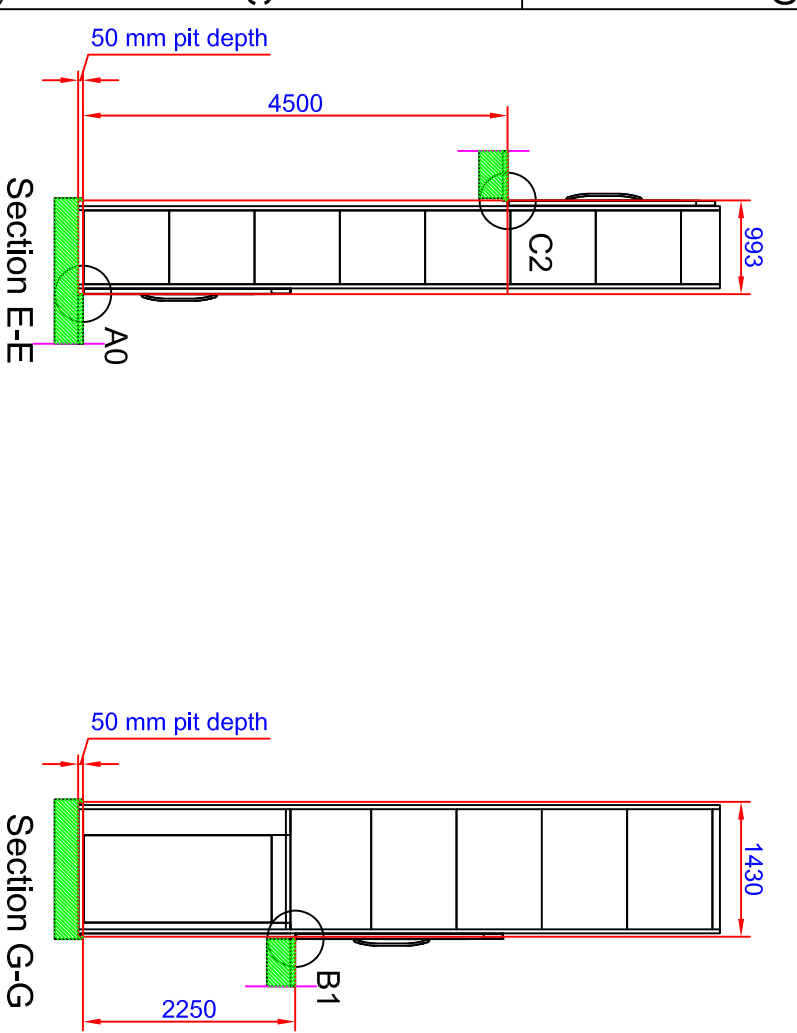
Shaft cutout sizes

Lift unit installed within a shaft by others

Recommended positioning of fixing points.

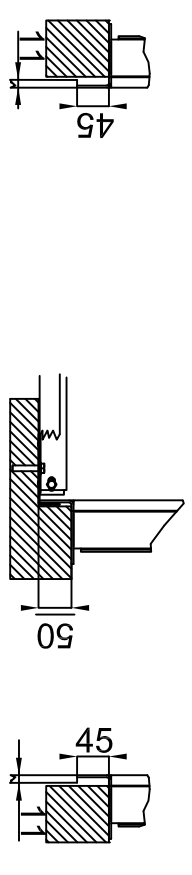
Loads per fixing point, $F=250\text{ N}$

Door front cutout sizes		
Landing	Width	Height
A 0	1030	2250
B 1	830	2250
C 2	1030	2250



50 mm pit depth + 10 mm, - 0 mm.
Bottom surface must be flat

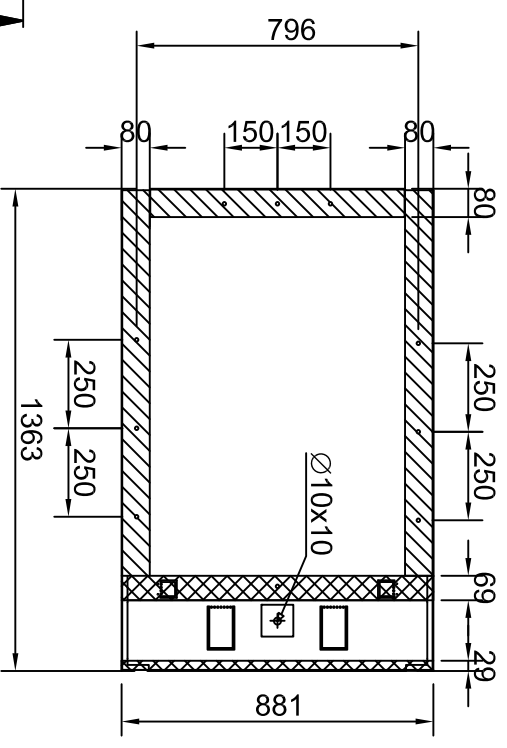
C2 (1:10)
A0 (1:10)
B1 (1:10)



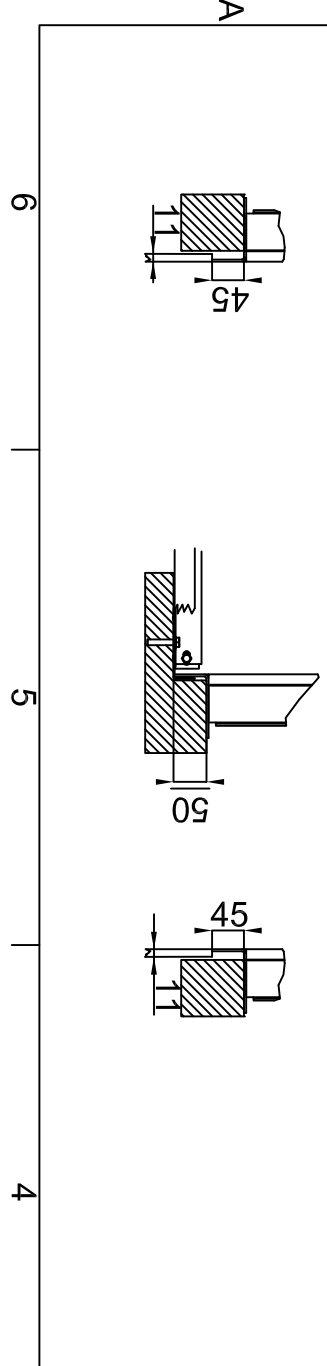
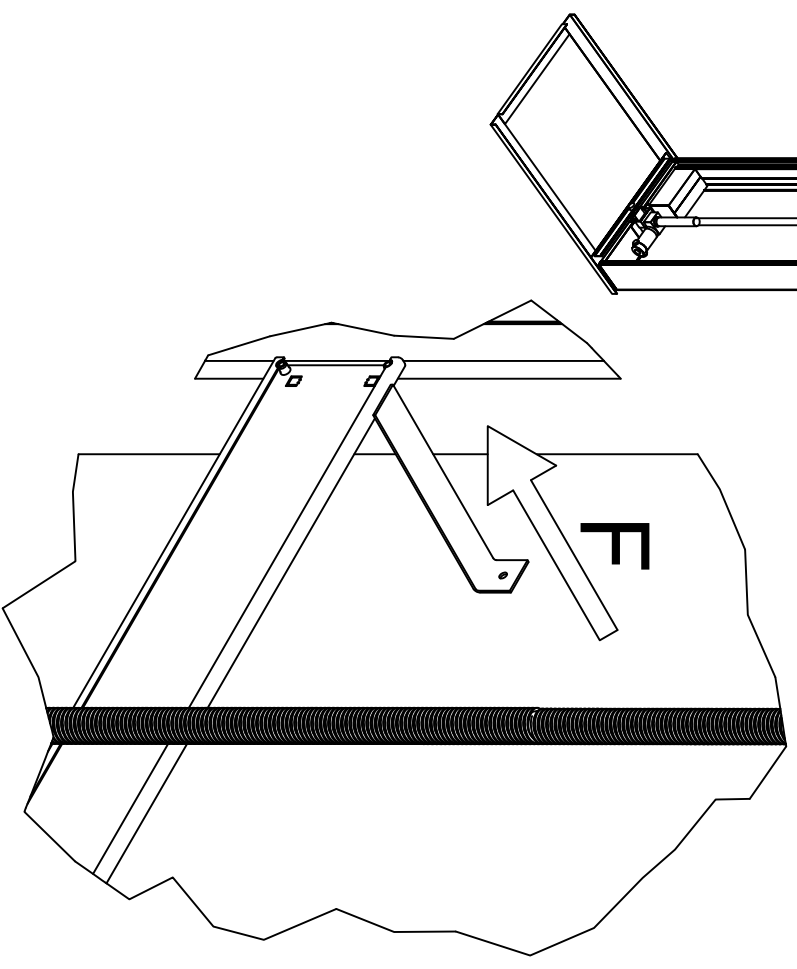
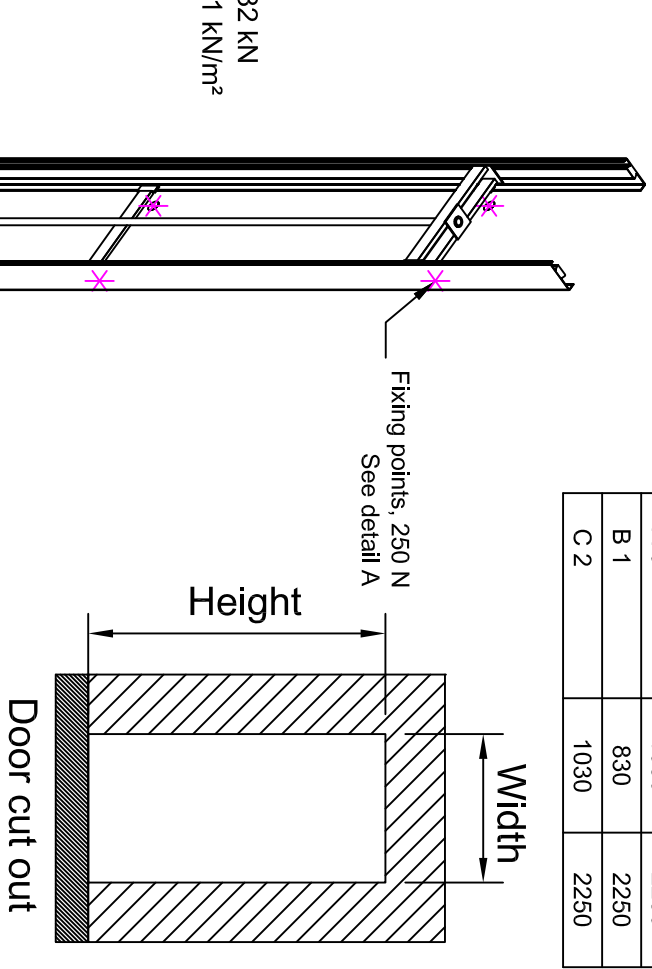
Loads sustained by shaft and platform and fixing points bottom frame

L section force: 7,5 kN
L section load: 24,59 kN/m²

Mast force: 8,32 kN
Mast load: 67,1 kN/m²



Scale: 1:20



Approved by
builder:

European view placement:



Tender no
Order no
Principal drawing
A4000 - 1000*830
Cut out sizes

Gen. Tolerances
SS-ISO 2768-1-1 m
Date
2018-10-25
sheet
2 of 7
Scale:
A3, 1:60