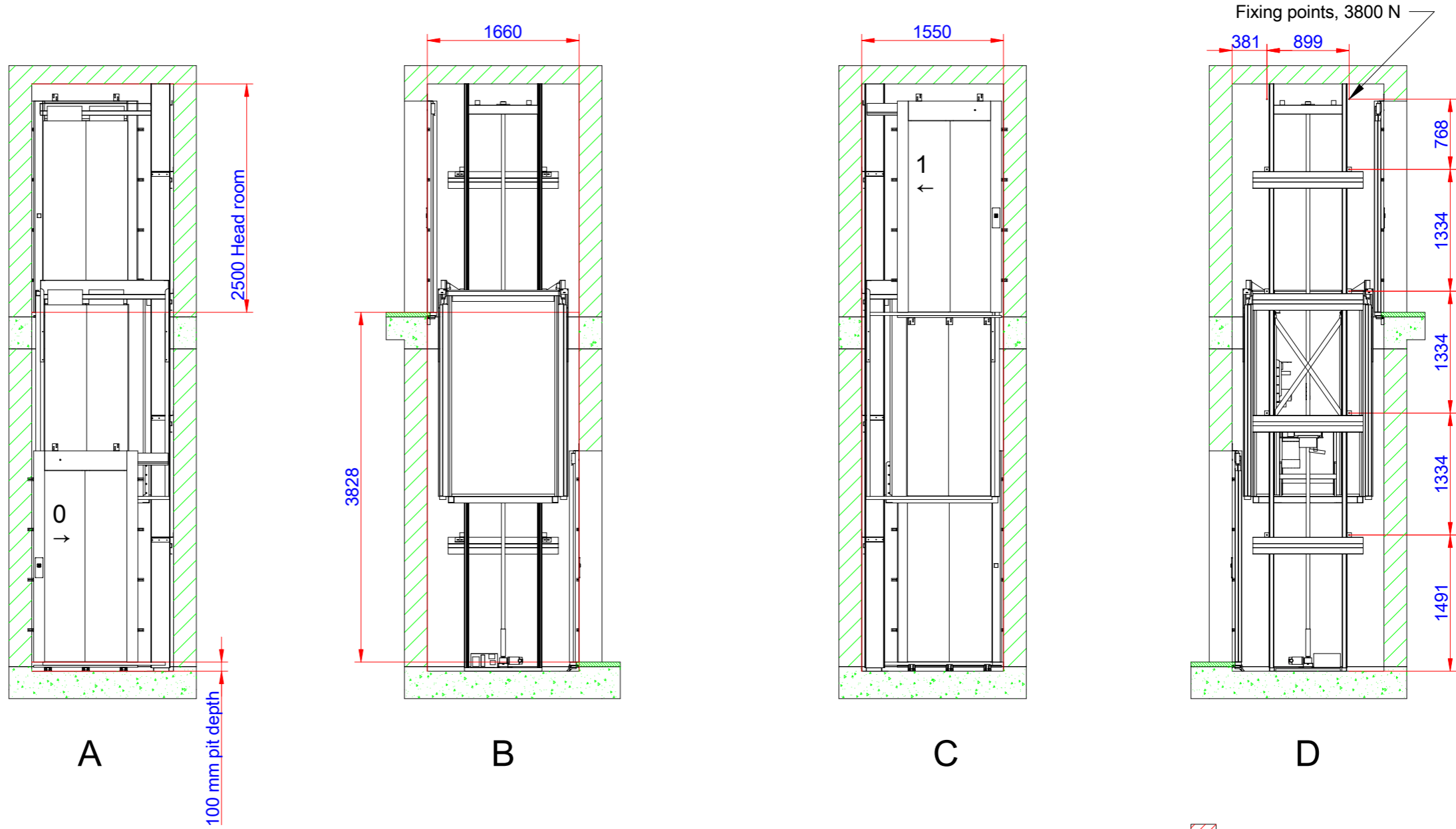
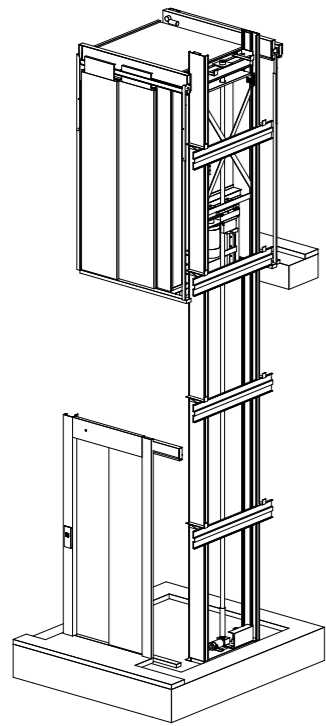
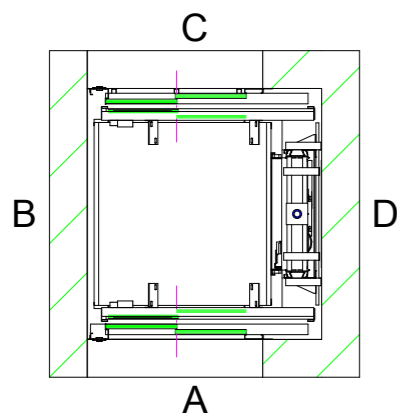


Lift overview

(Cutout dimension see sheet 2, forces see sheet 3
detailed installation information, see separate instructions)



Positioning of machinery:



Lift unit installed within a shaft by others

Specification
4 kW Frekv 3x400V 50-60 Hz Soft
Capacity: 525,00 kg

Approved by
builder:

European view placement:

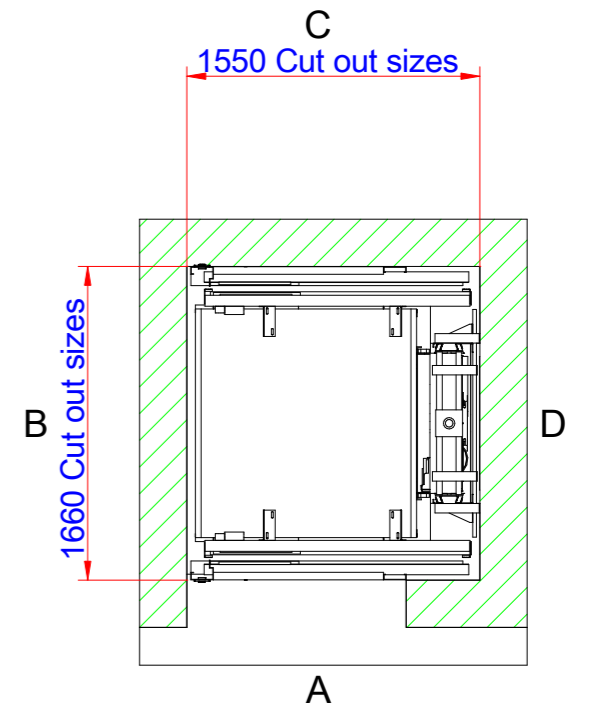
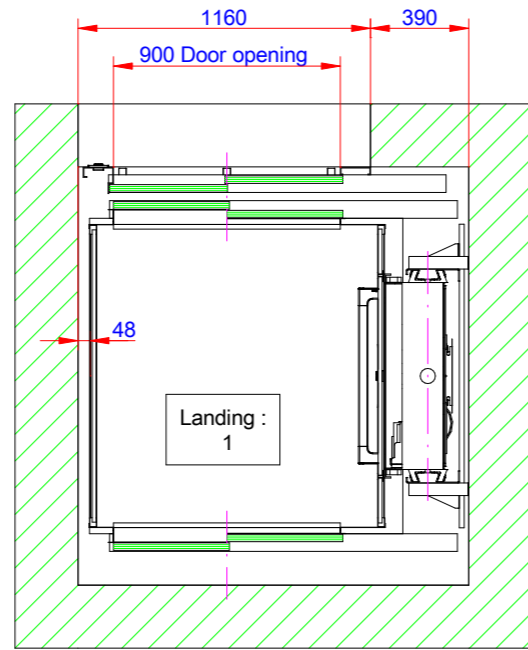
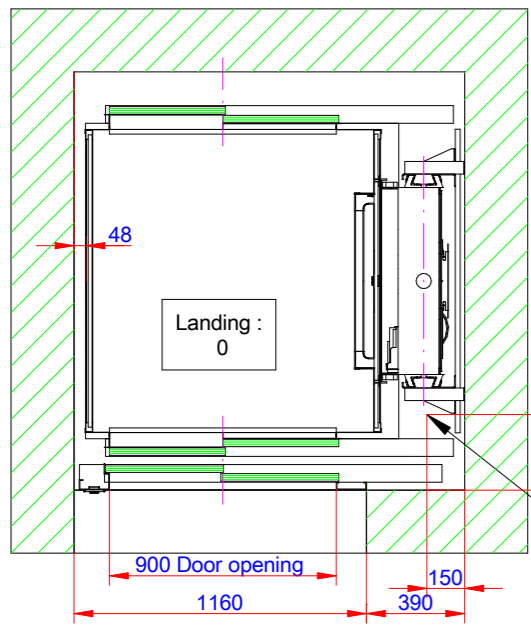


EOS ID	
Tender no	
Order no	
Gen. Tolerances	Date
SS-ISO 27681-1 m	

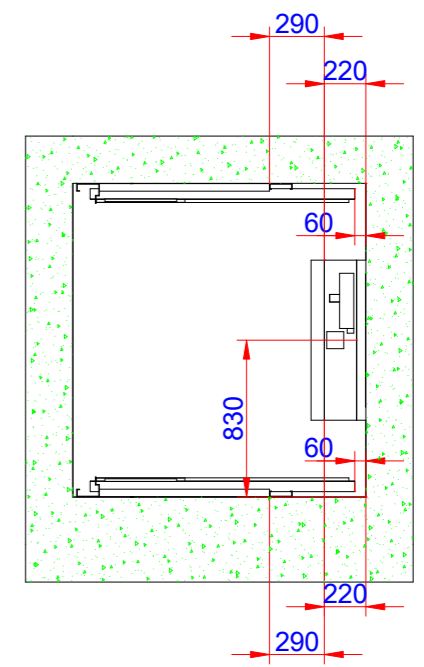
Principal drawing
C1-Pure - 1100*1200
Lift overview

sheet	Scale:
1 of 6	A3, 1:1

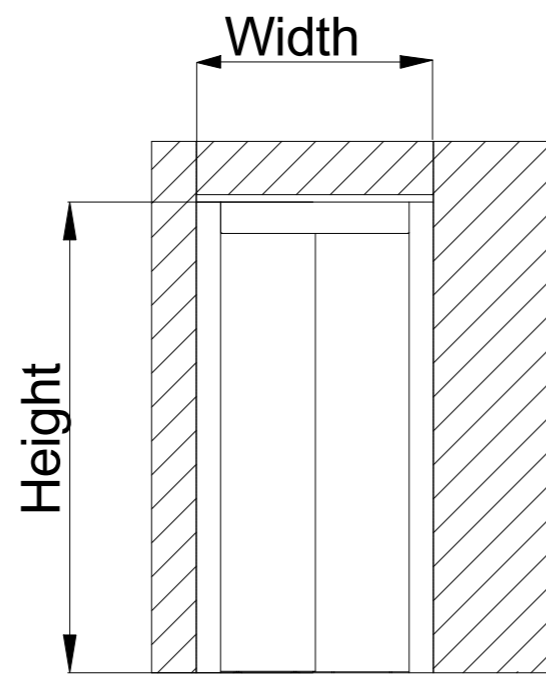
Cutout sizes for shaft and doors



100 mm pit depth + 10 mm, - 0 mm. Bottom surface must be flat



Door front cutout sizes			
Landing	Door type	Width	Height
A 0	CS0	1160	2300
C 1	CS0	1160	2300



Door cut out

Approved by builder:





European view placement:

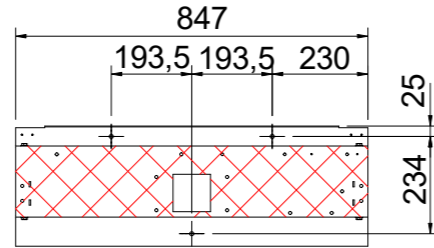
EOS ID
Tender no
Order no
Gen. Tolerances
SS-ISO 27681-1 m

Principal drawing
C1-Pure - 1100*1200
Cut out sizes
Date
sheet 2 of 6
Scale: A3, 1:1

Loads and forces in pit and on fixing points

Loads sustained by shaft and platform and fixing points bottom frame

 Mast load: 56,14 kN/m²
 Mast force: 12,07 kN
 Weight on mast area: 1207



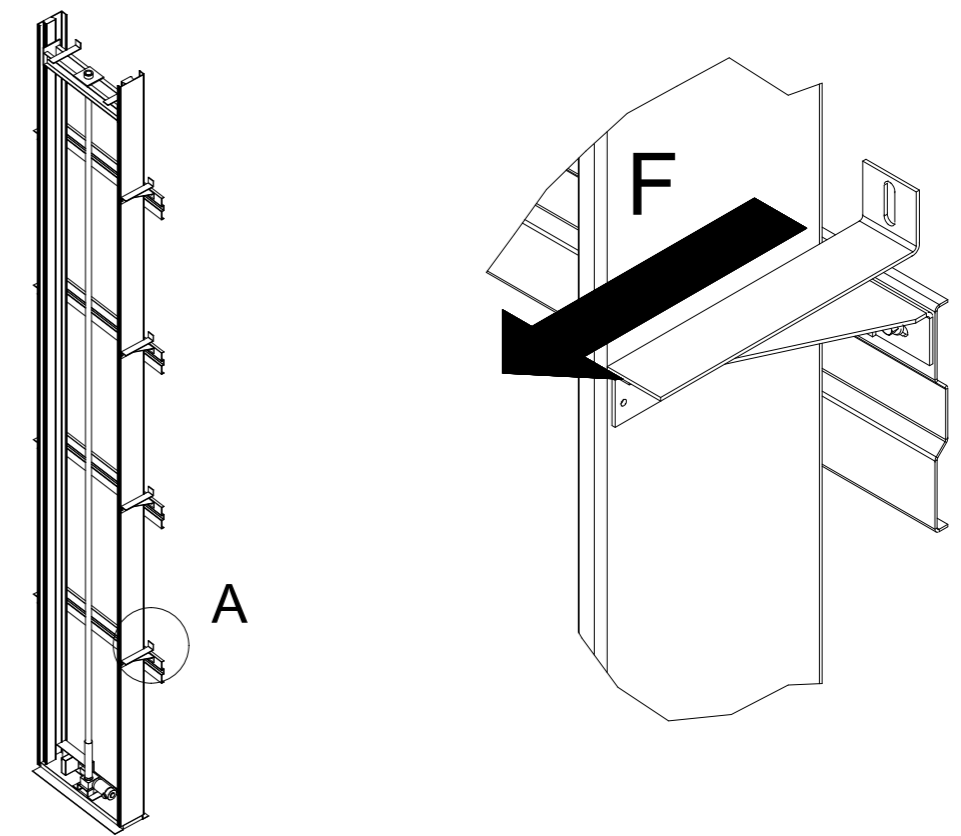
Scale: 1:20

Fixing points guiderail

Forces:
Fixing points shaft F: 3800 N

Recommended positioning of fixing points, general view

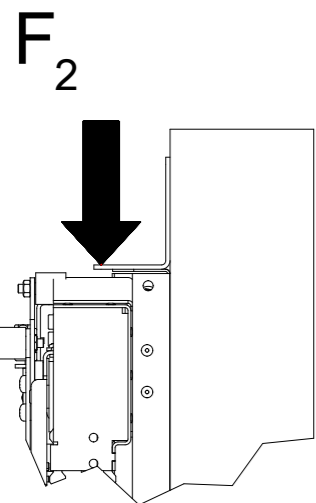
A (1:5)



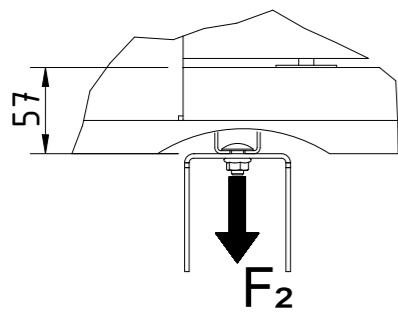
Scale: 1:50

Fixing points Shaft Doors

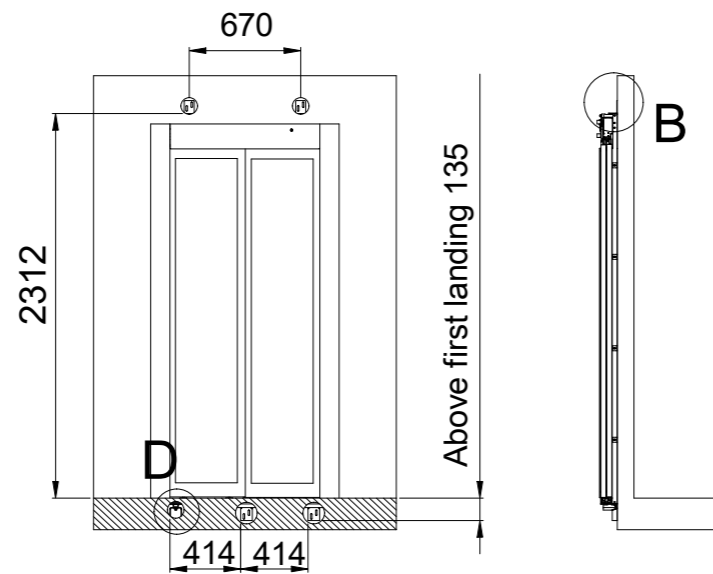
B (1:10)



Landing door fixing points. Number of fixing points: 5
Fixing points landing door F₂: 1400 N



D (1:10)



Approved by
builder:

European view placement:



EOS ID

Tender no

Order no

Gen. Tolerances

SS-ISO 27681-1 m

Principal drawing
C1-Pure - 1100*1200
Loads and forces

Date

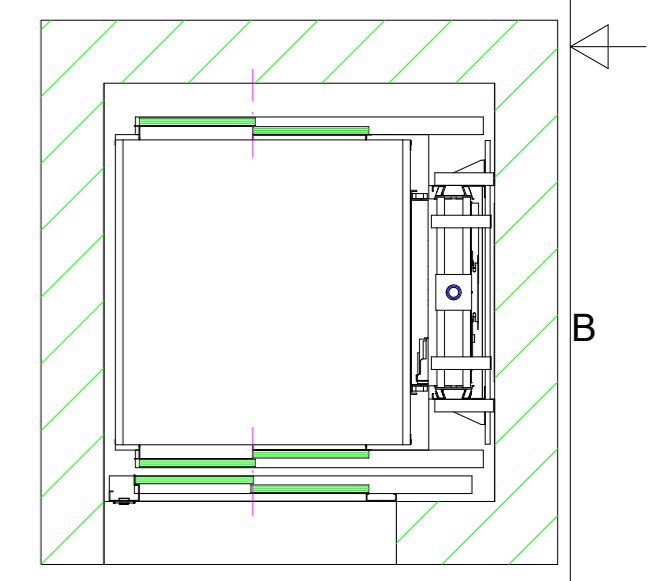
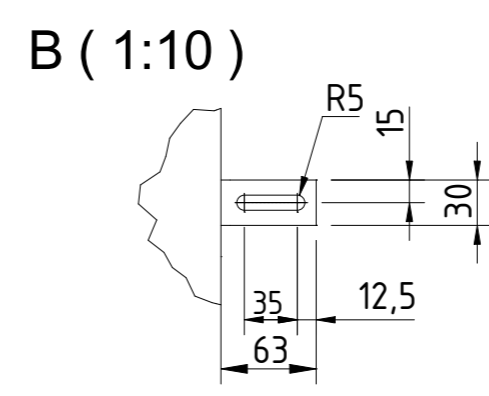
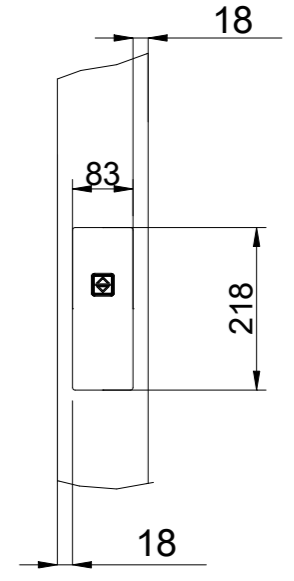
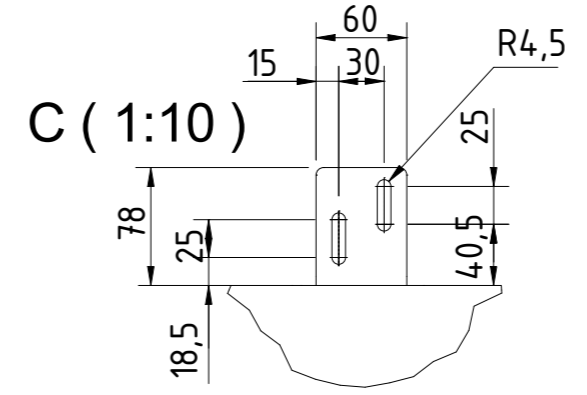
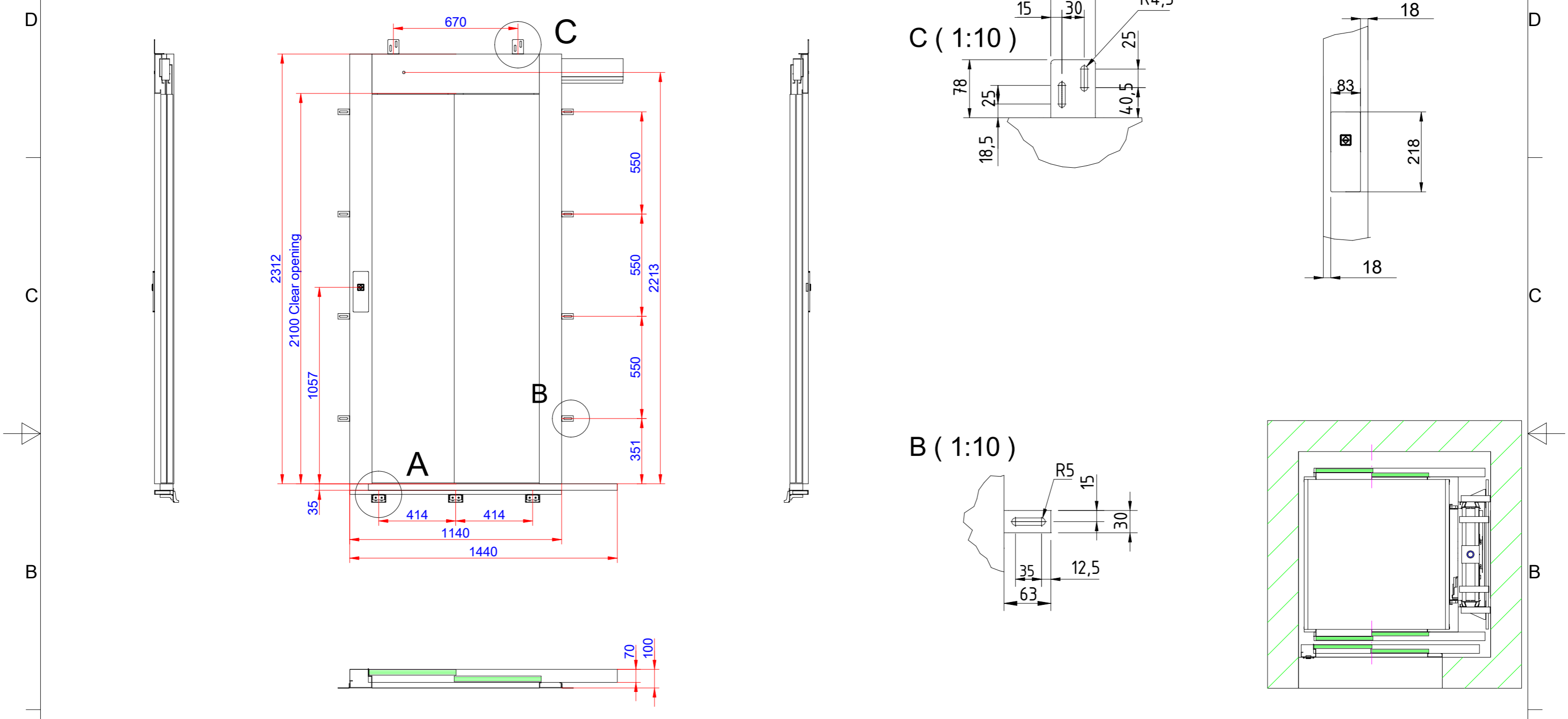
sheet

3 of 6

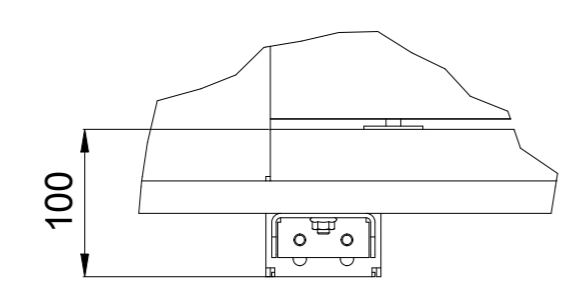
Scale:

A3, 1:1

Information for landing 0 and door(s) on landing



A (1:10)



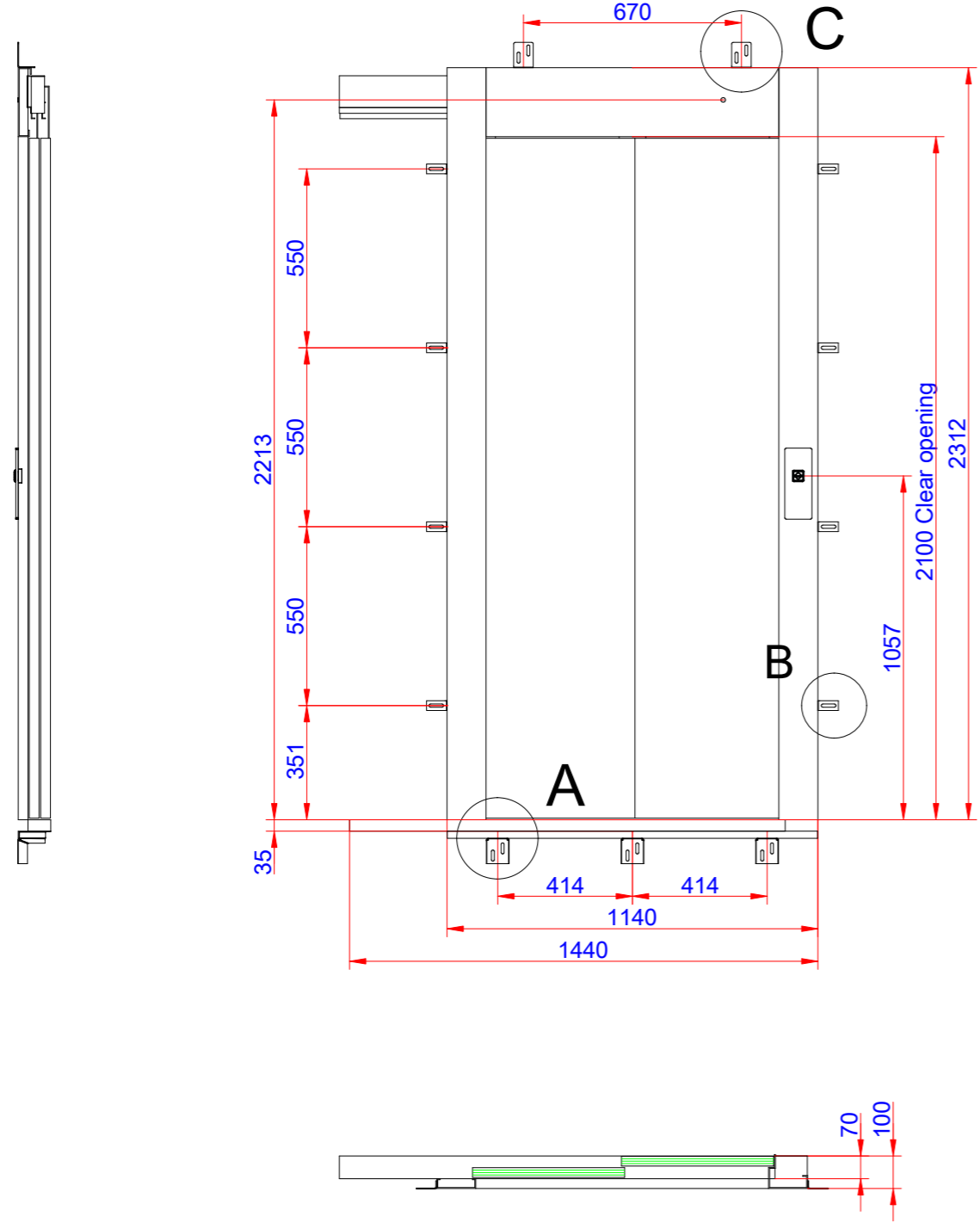
Note for Detail A! When installation is performed inside a pit that is lower than 200 mm, a small bracket must be used fitted under the threshold. This bracket is supplied with the lift.

Approved by builder: _____			EOS ID		Principal drawing C1-Pure - 1100*1200 Landing information
			Tender no		
European view placement:		Order no		Date	
		Gen. Tolerances SS-ISO 27681-1 m		sheet 4 of 6	Scale: A3, 1:1

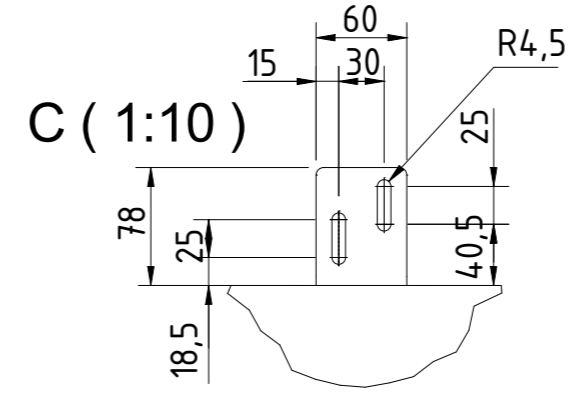
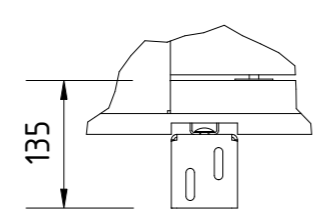
Information for landing 1 and door(s) on landing

D
C
B
A

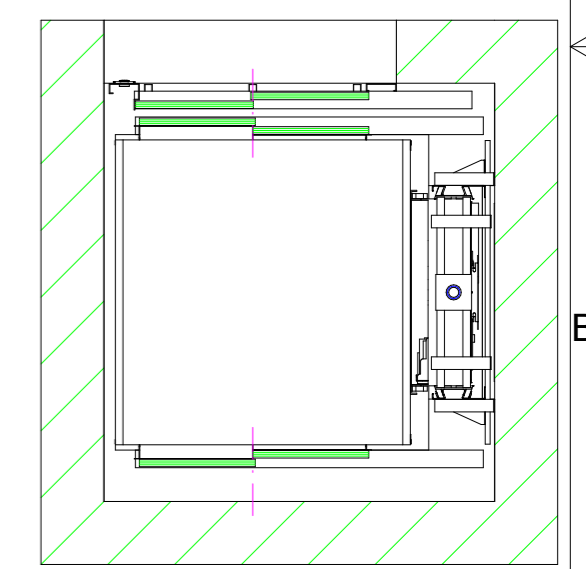
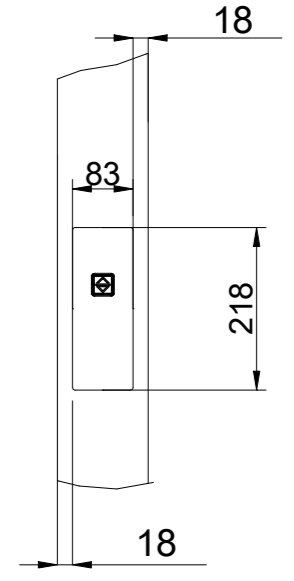
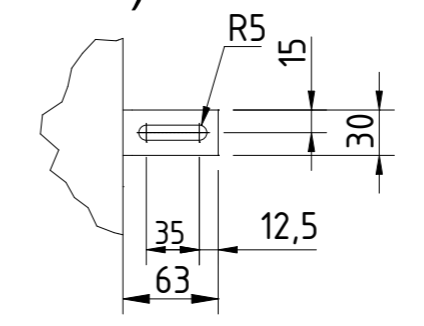
6 5 4 3 2 1



A (1:10)



B (1:10)



Approved by builder:

European view placement:



EOS ID
Tender no
Order no
Gen. Tolerances
SS-ISO 27681-1 m

Principal drawing
C1-Pure - 1100*1200
Landing information

Date
sheet 5 of 6
Scale: A3, 1:1

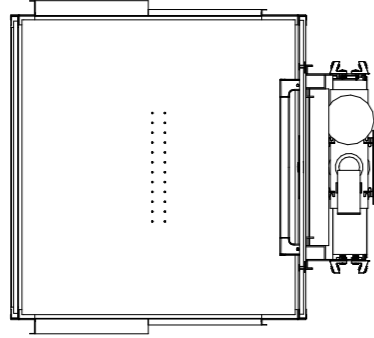
6 5 4 3 2 1



D
C
B
A

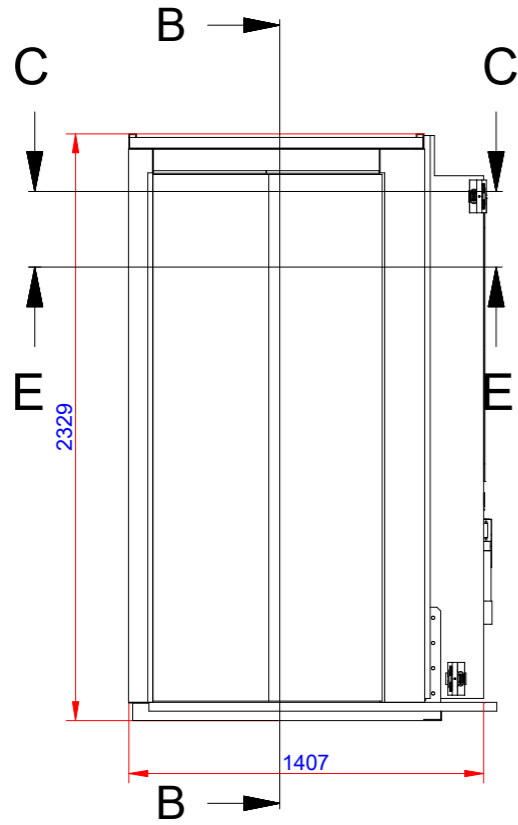
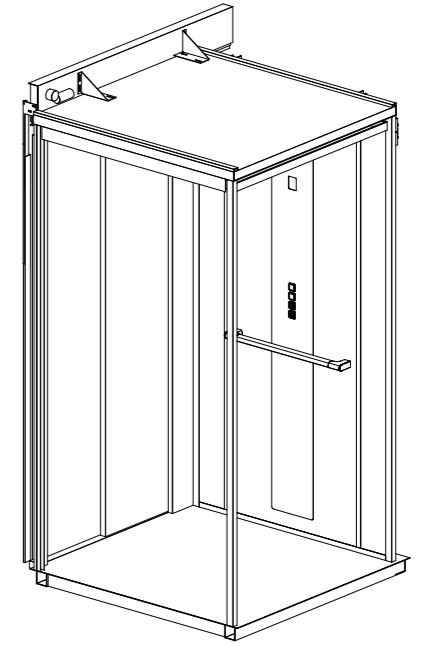
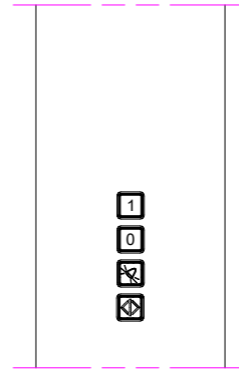
Cabin layout

E-E (1:30)

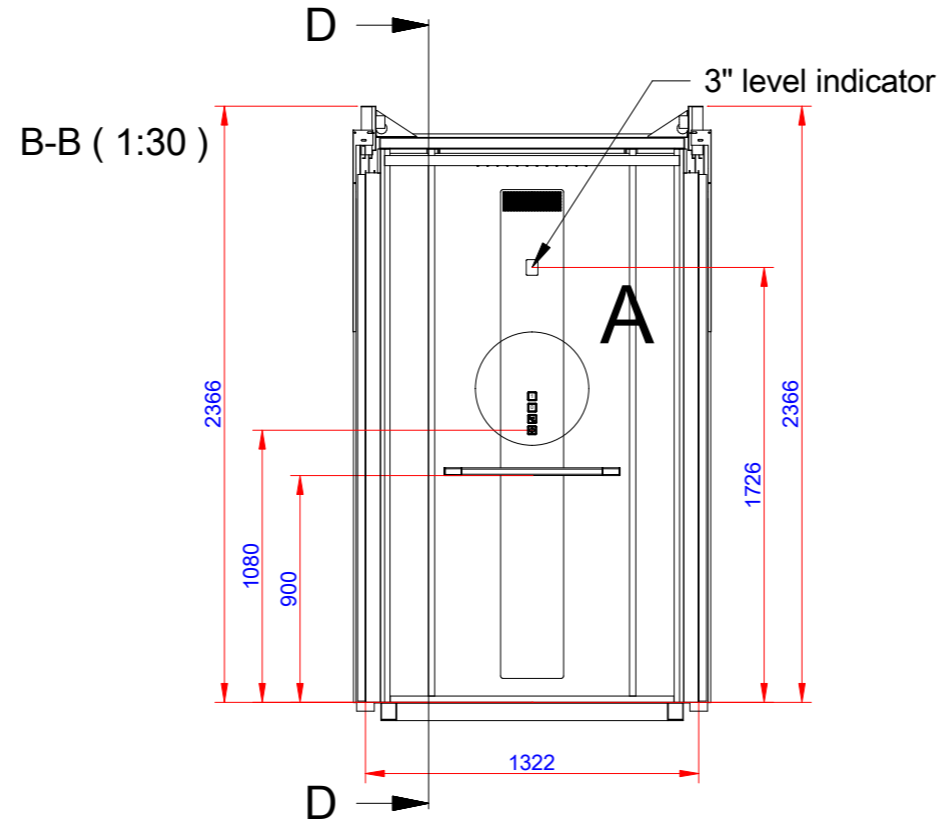


Button layout

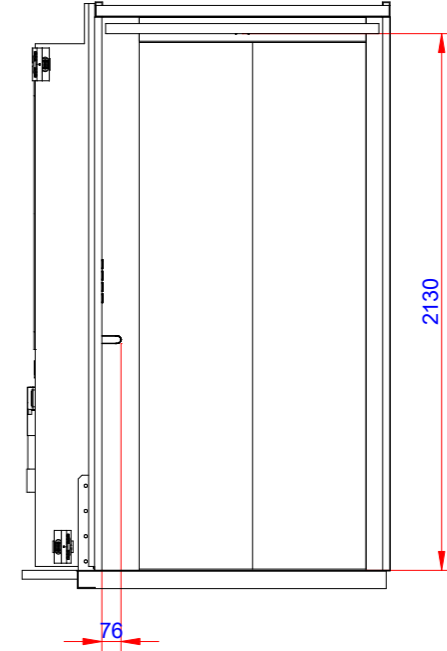
A (1:10)



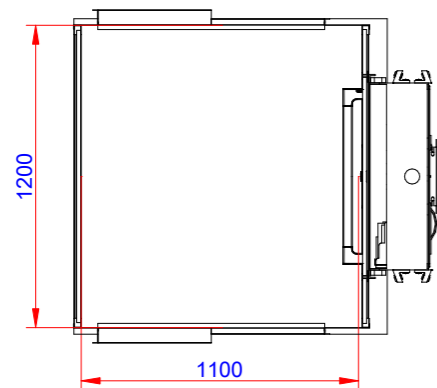
B-B (1:30)



D-D (1:30)



Cabin dimensions
C-C (1:30)



Approved by
builder:

European view placement:



EOS ID

Tender no

Order no

Gen. Tolerances

SS-ISO 27681-1 m

Principal drawing

C1-Pure - 1100*1200

Cabin layout

Date

sheet

6 of 6

Scale:

A3, 1:1