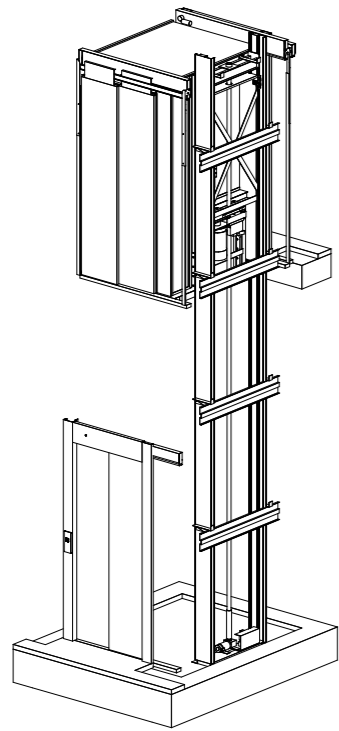
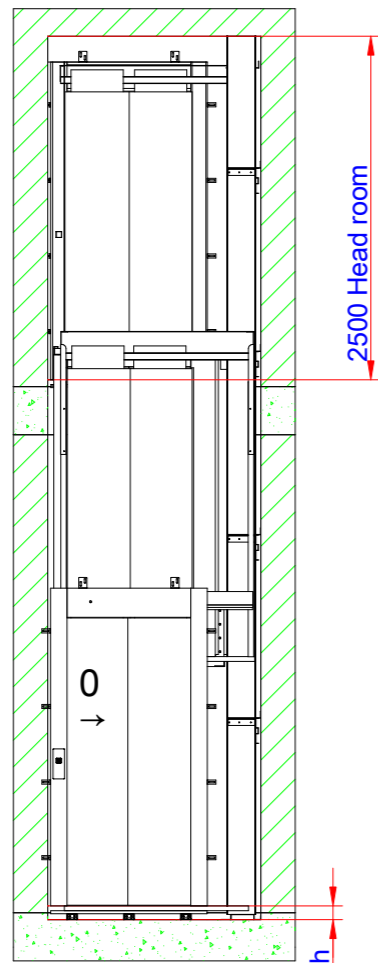
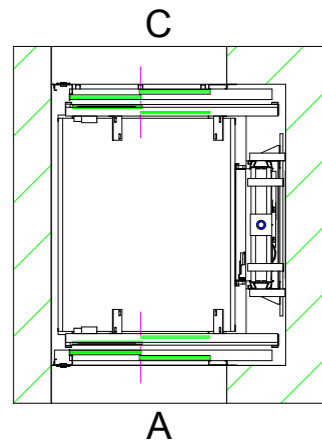


# Lift overview

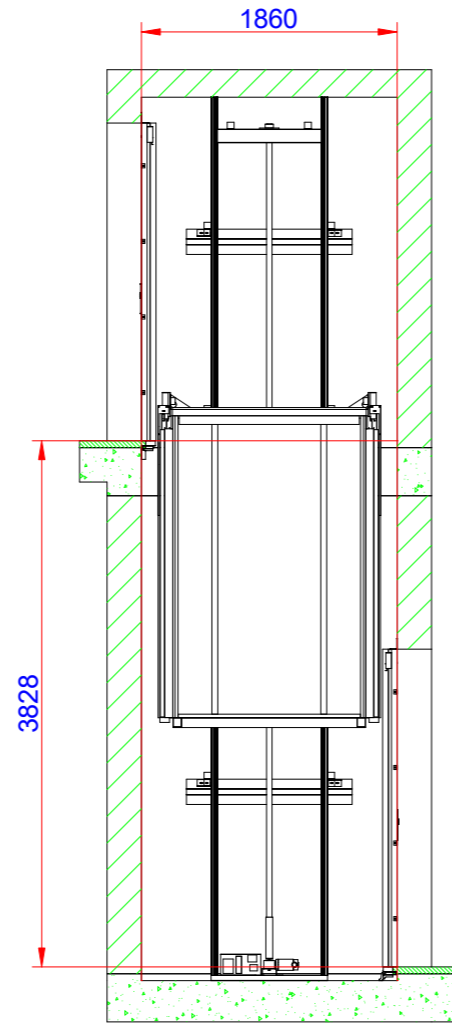
(Cutout dimension see sheet 2, forces see sheet 3  
detailed installation information, see separate instructions)



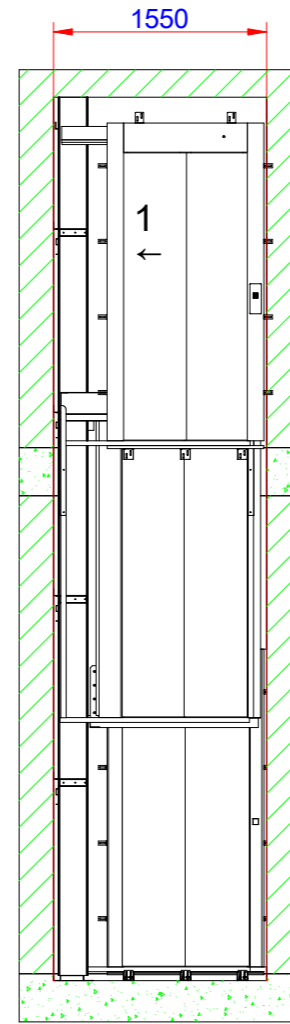
Positioning of machinery:



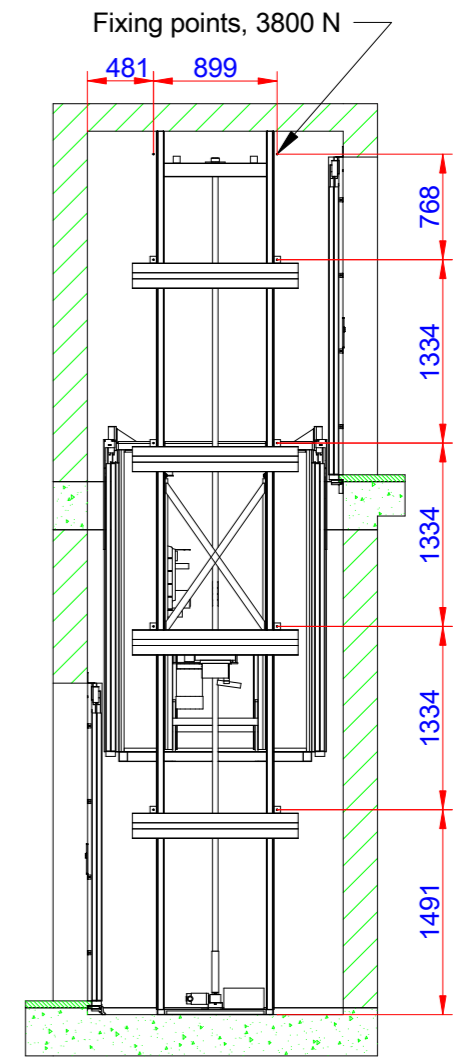
A



B



C



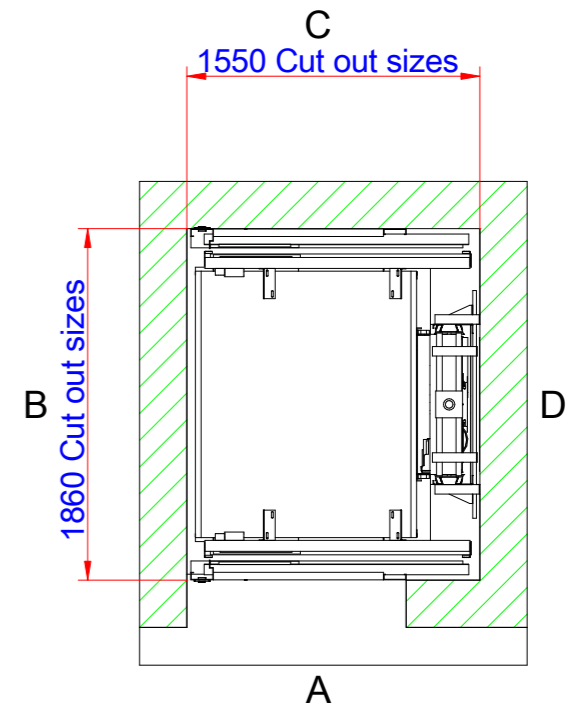
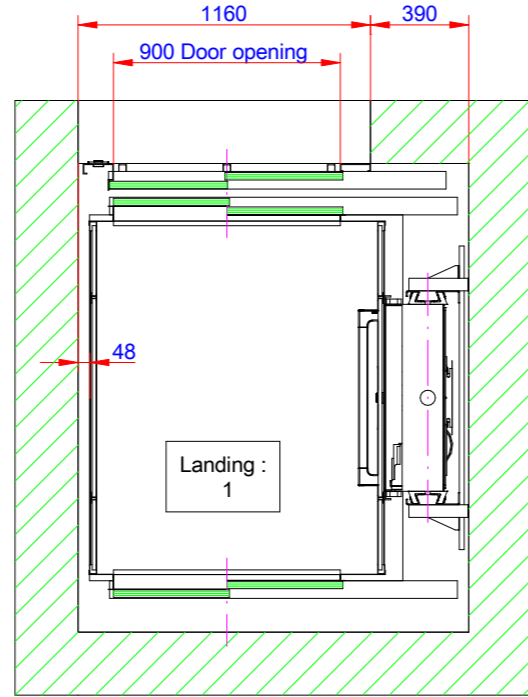
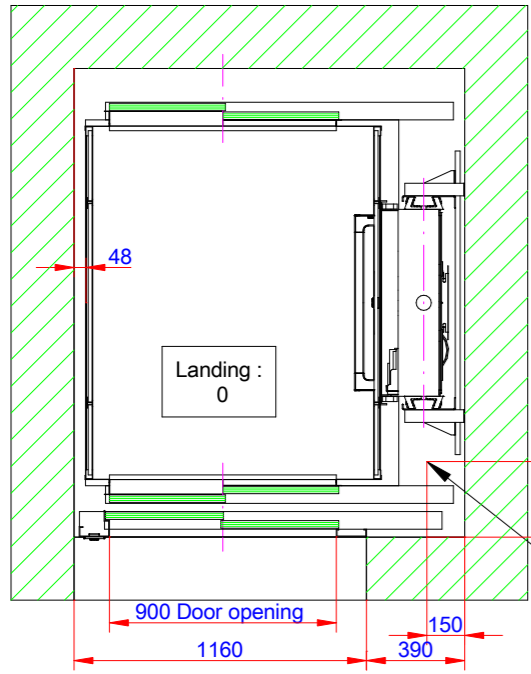
D

Lift unit installed within a shaft by others

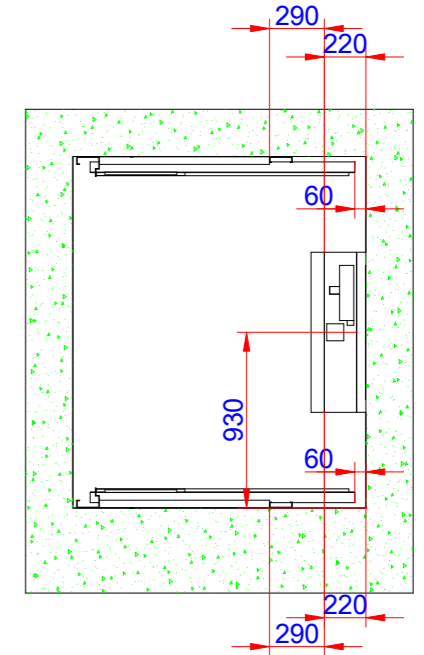
<b>Specification</b> 4 kW Frekv 3x400V 50-60 Hz Soft Capacity: 630,00 kg	Approved by builder: _____
European view placement:	

EOS ID	Principal drawing		
Tender no	C1-Pure - 1100*1400		
Order no	Lift overview		
Gen. Tolerances	Date	sheet	Scale:
SS-ISO 27681-1 m		1 of 6	A3, 1:1

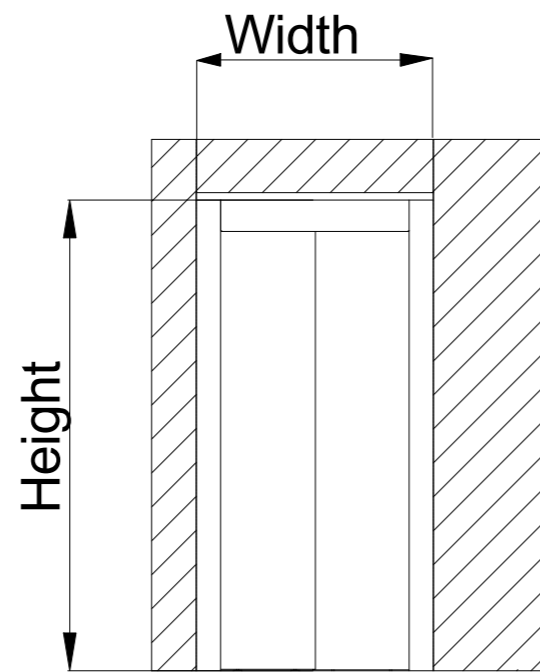
# Cutout sizes for shaft and doors



100 mm pit depth + 10 mm, - 0 mm. Bottom surface must be flat



Door front cutout sizes			
Landing	Door type	Width	Height
A 0	CS0	1160	2300
C 1	CS0	1160	2300



Door cut out

Approved by builder:

European view placement:

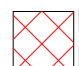



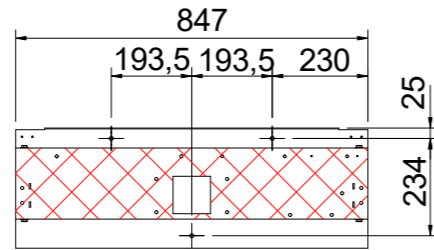
EOS ID  
Tender no  
Order no  
Gen. Tolerances  
SS-ISO 27681-1 m

Principal drawing  
C1-Pure - 1100\*1400  
Cut out sizes  
Date  
sheet 2 of 6  
Scale: A3, 1:1

# Loads and forces in pit and on fixing points

Loads sustained by shaft and platform and fixing points bottom frame

 Mast load: 62,42 kN/m<sup>2</sup>  
 Mast force: 13,42 kN  
 Weight on mast area: 1342



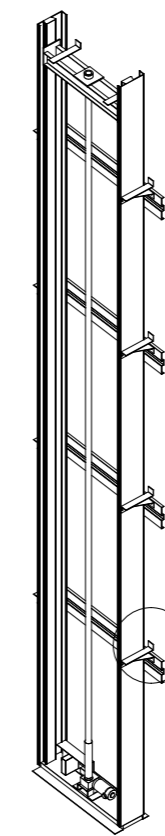
Scale: 1:20

# Fixing points guiderail

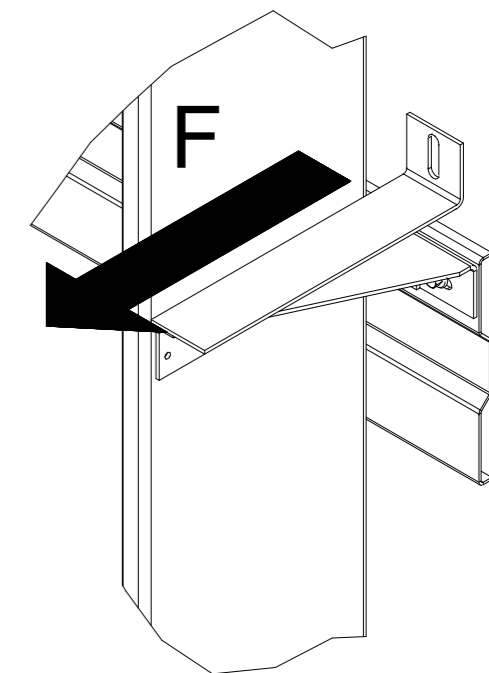
Forces:  
Fixing points shaft F: 3800 N

Recommended positioning of fixing points, general view

A ( 1:5 )

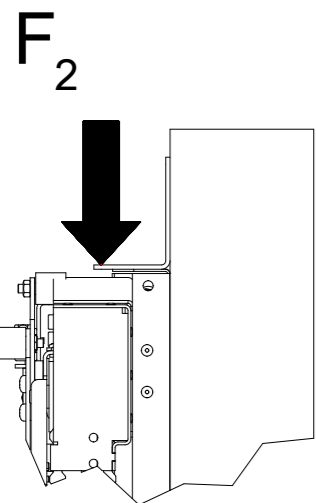


Scale: 1:50

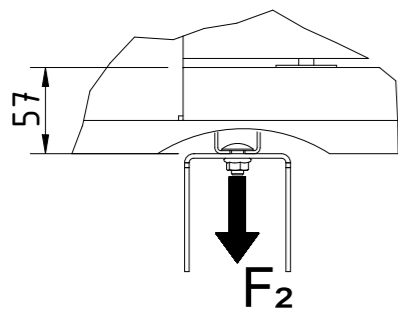


# Fixing points Shaft Doors

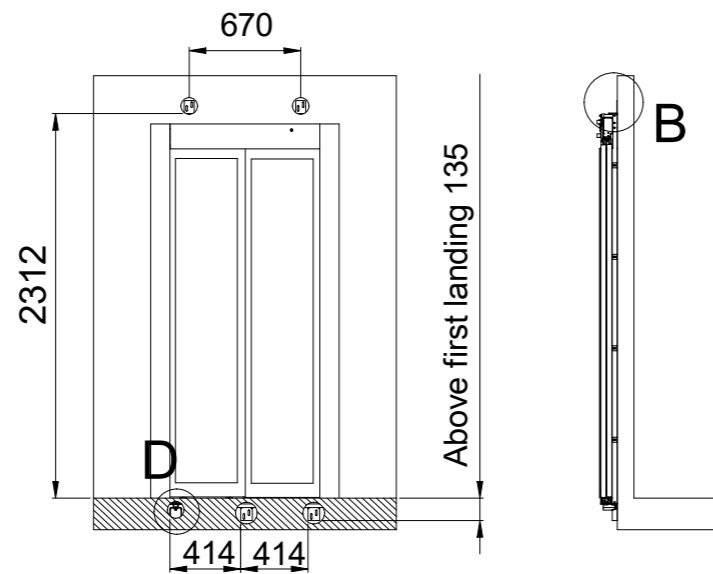
B ( 1:10 )



Landing door fixing points. Number of fixing points: 5  
Fixing points landing door F<sub>2</sub>: 1400 N



D ( 1:10 )



Above first landing 135

Approved by  
builder:

European view placement:



EOS ID

Tender no

Order no

Gen. Tolerances

SS-ISO 27681-1 m

Principal drawing  
C1-Pure - 1100\*1400  
Loads and forces

Date

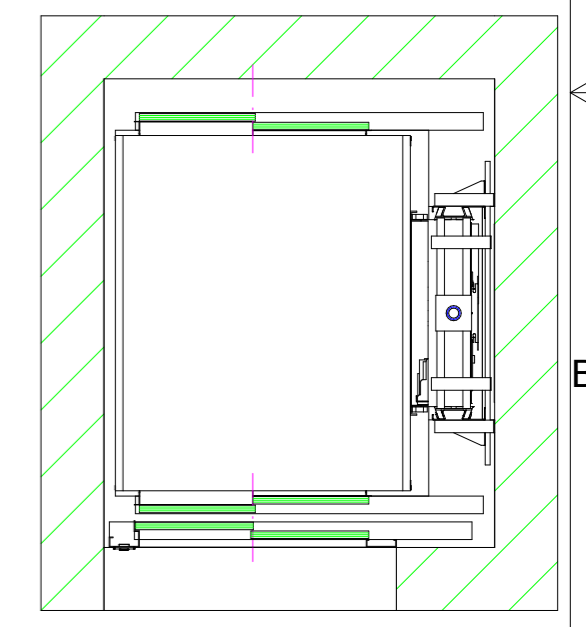
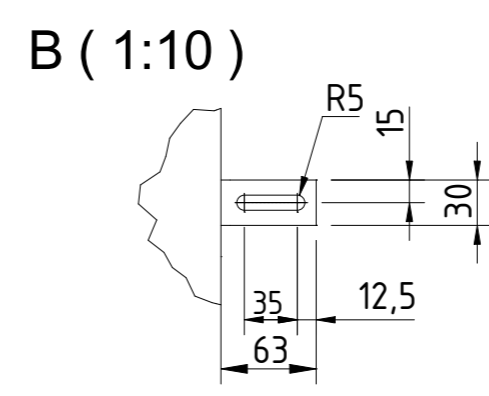
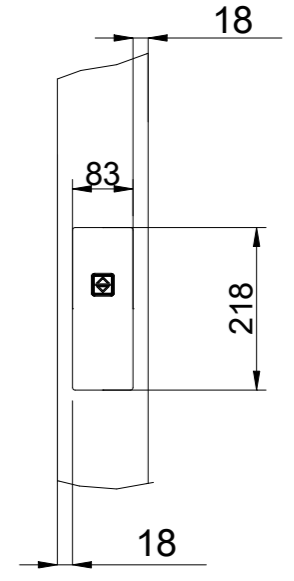
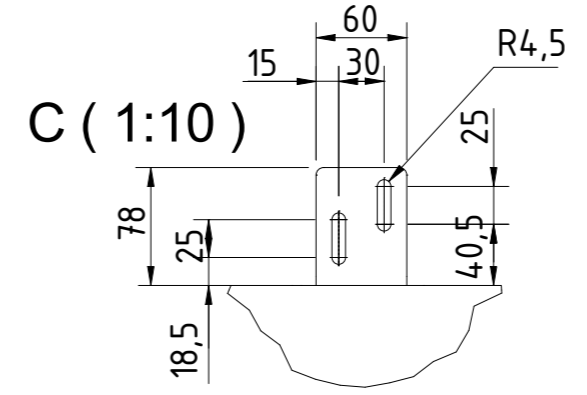
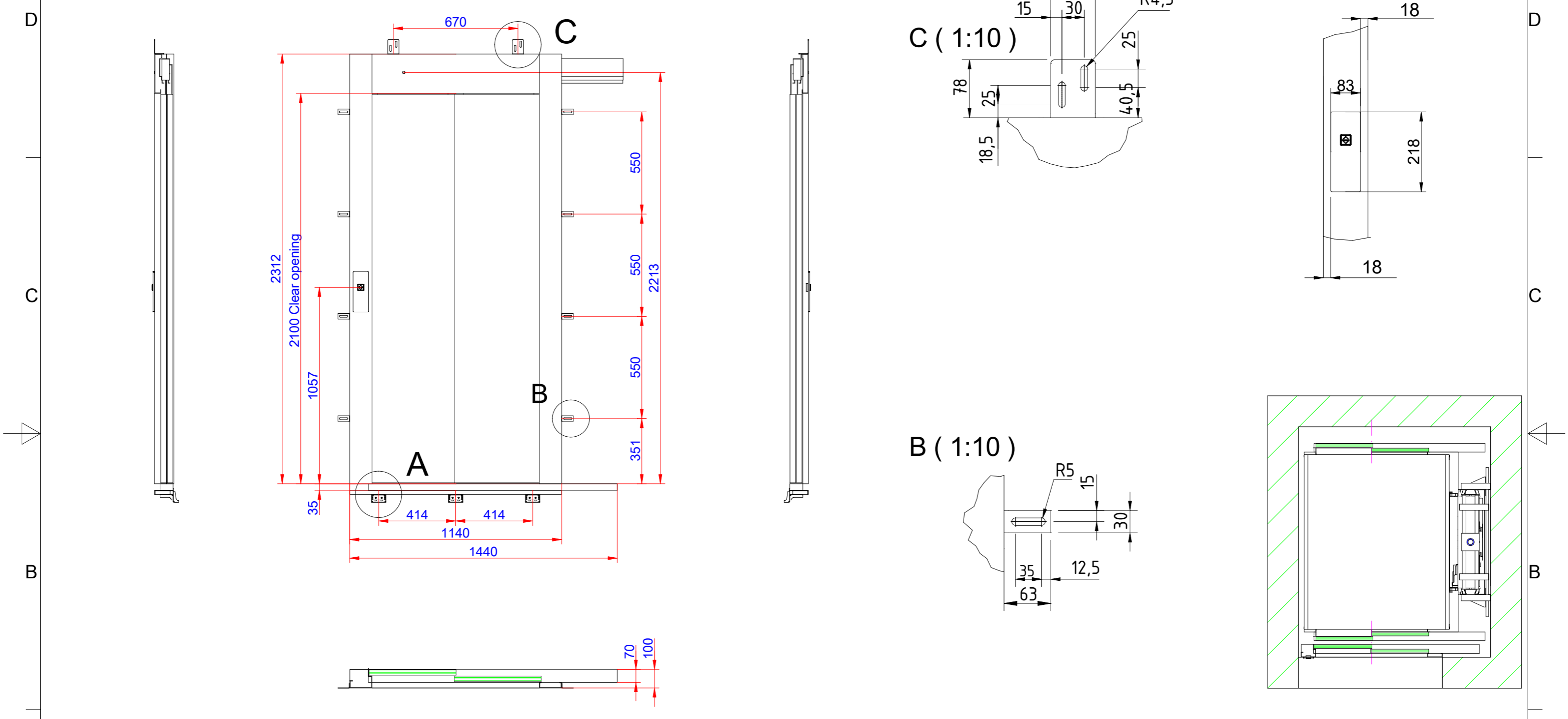
sheet

3 of 6

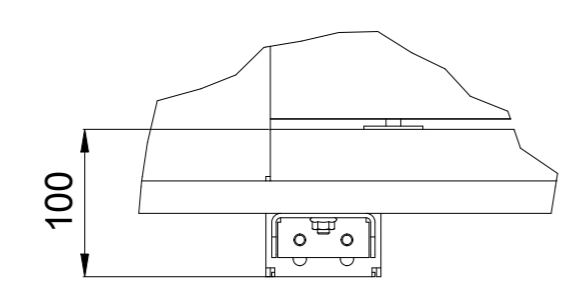
Scale:

A3, 1:1

Information for landing 0 and door(s) on landing



**A (1:10)**



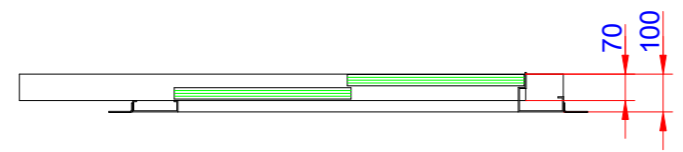
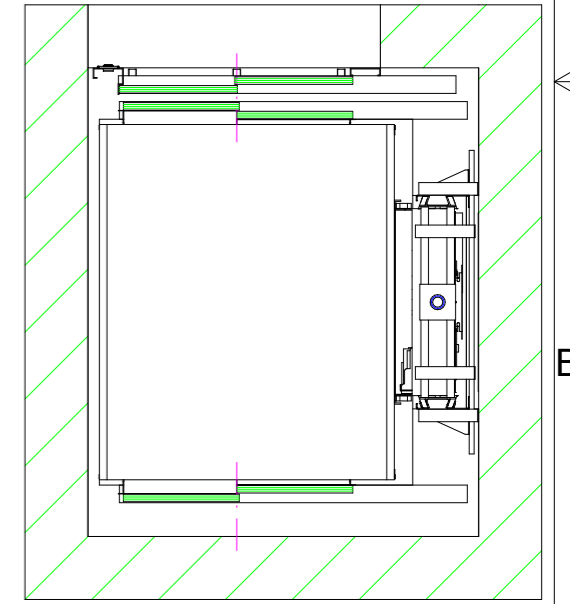
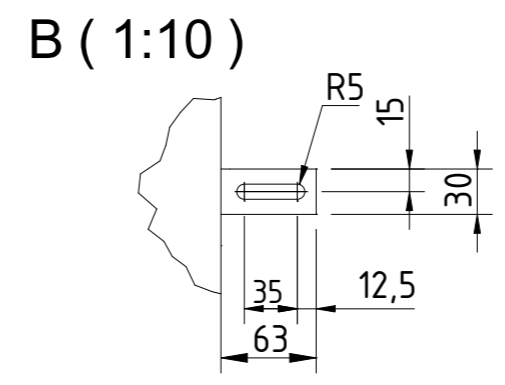
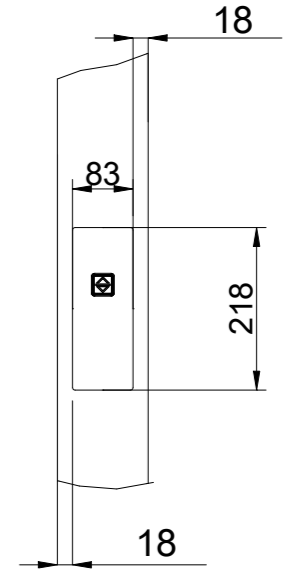
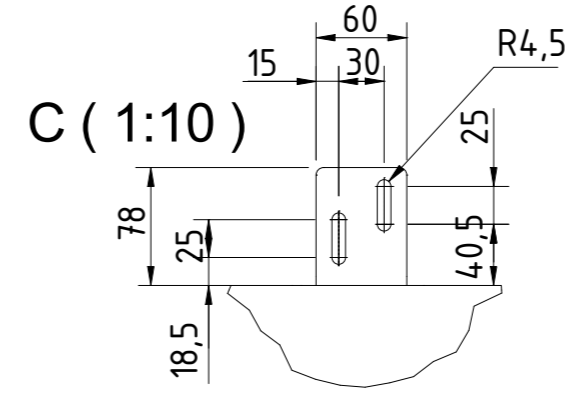
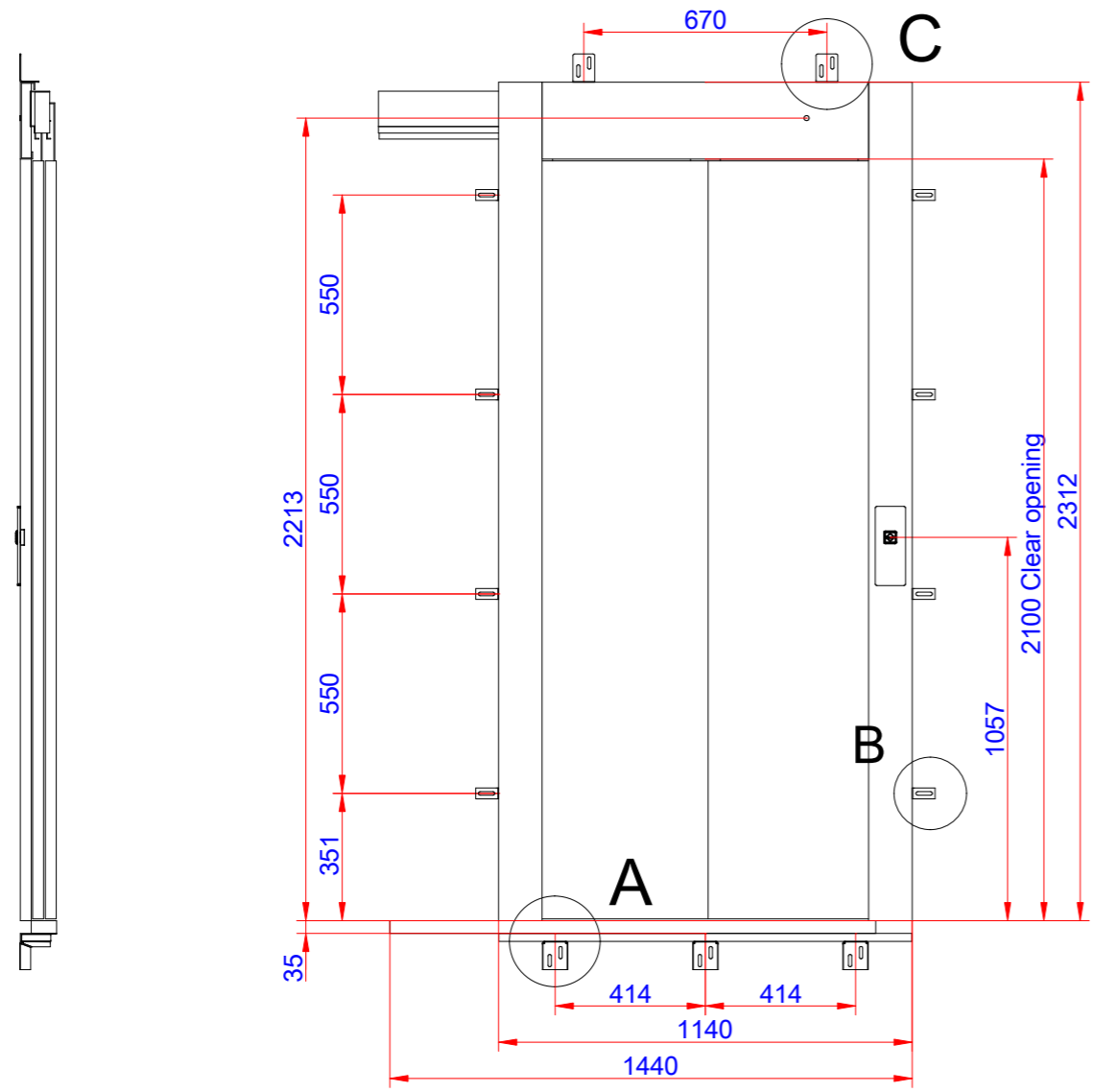
Note for Detail A! When installation is performed inside a pit that is lower than 200 mm, a small bracket must be used fitted under the threshold. This bracket is supplied with the lift.

Approved by builder:  _____			EOS ID		Principal drawing C1-Pure - 1100*1400 Landing information
			Tender no		
European view placement: 			Order no		sheet 4 of 6
			Gen. Tolerances SS-ISO 27681-1 m		

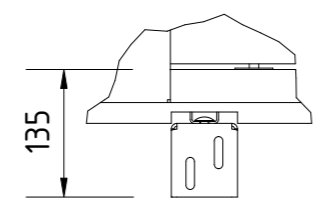
Information for landing 1 and door(s) on landing

D  
C  
B  
A

6 5 4 3 2 1



A ( 1:10 )



Approved by builder:  
\_\_\_\_\_

European view placement:



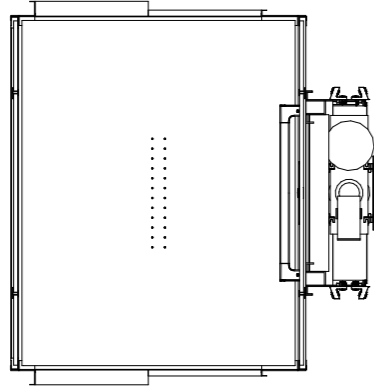
EOS ID		Principal drawing	
Tender no		C1-Pure - 1100*1400	
Order no		Landing information	
Gen. Tolerances	Date	sheet	Scale:
SS-ISO 27681-1 m		5 of 6	A3, 1:1

6 5 4 3 2 1



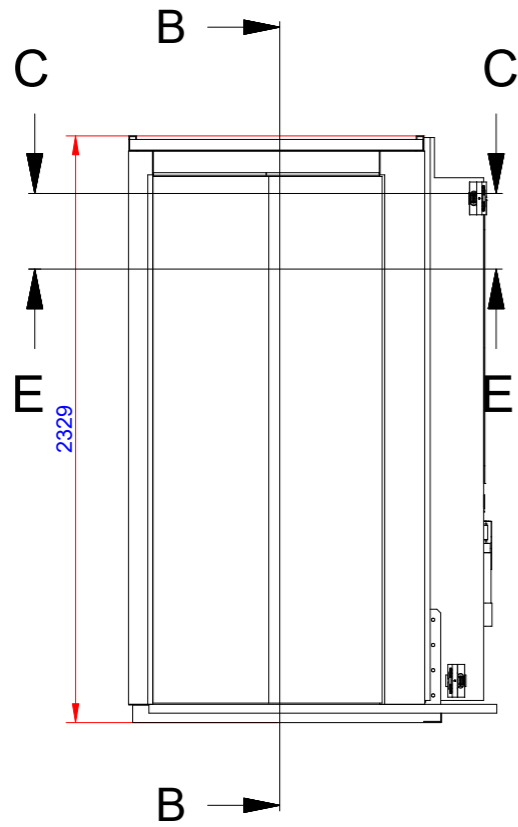
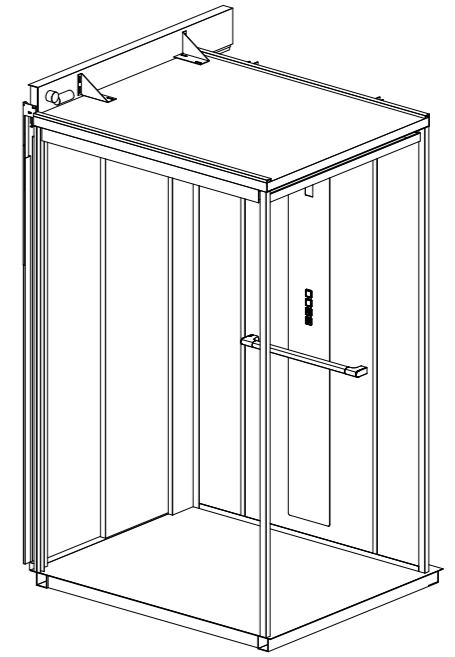
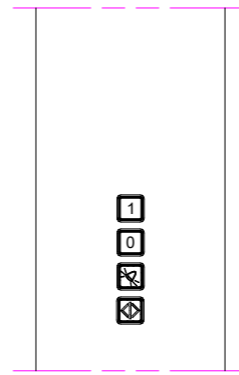
Cabin layout

E-E ( 1:30 )

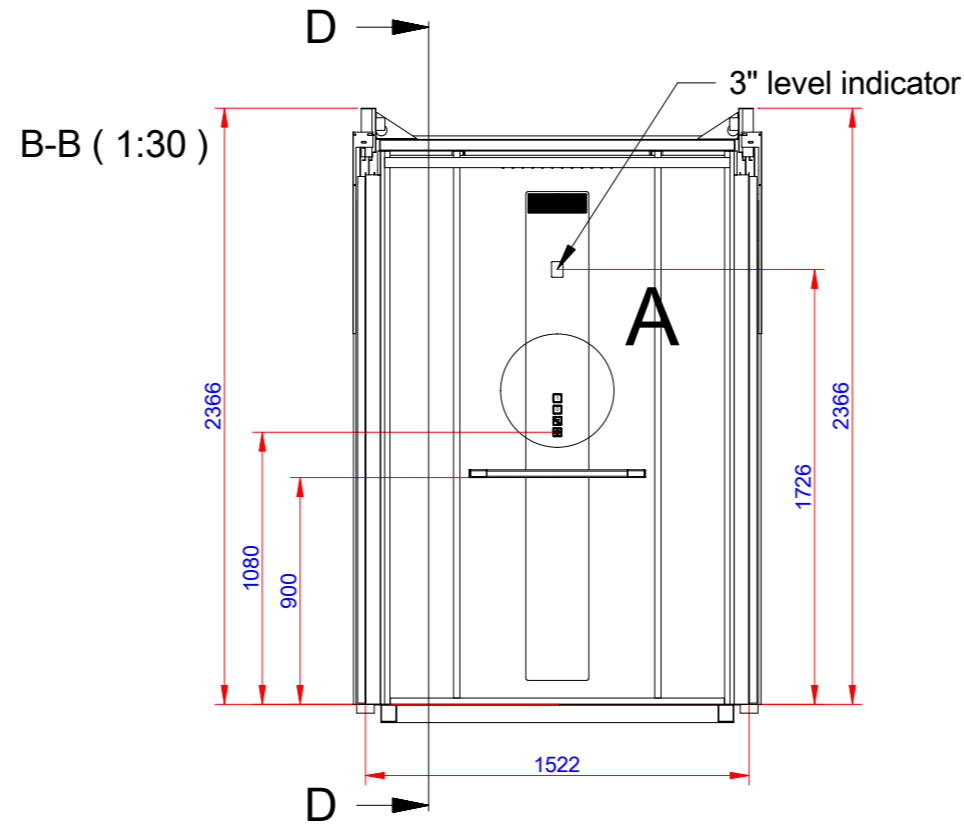


Button layout

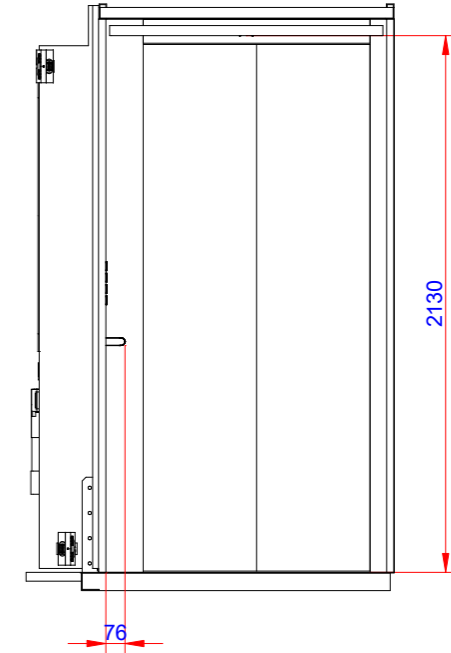
A ( 1:10 )



B-B ( 1:30 )

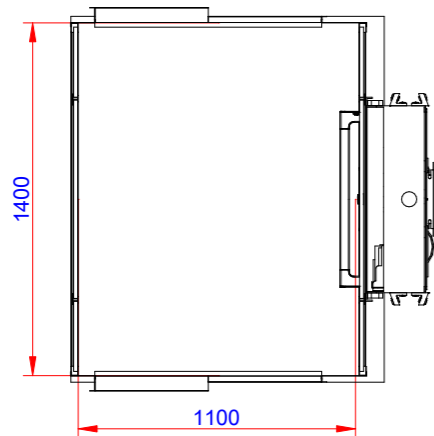


D-D ( 1:30 )



Cabin dimensions

C-C ( 1:30 )



Approved by  
builder:

European view placement:



EOS ID

Tender no

Order no

Gen. Tolerances

SS-ISO 27681-1 m

Principal drawing

C1-Pure - 1100\*1400

Cabin layout

Date

sheet

6 of 6

Scale:

A3, 1:1