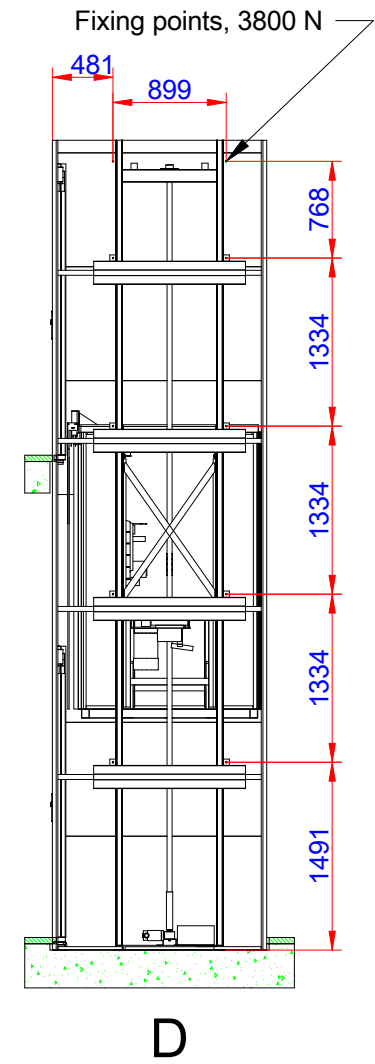
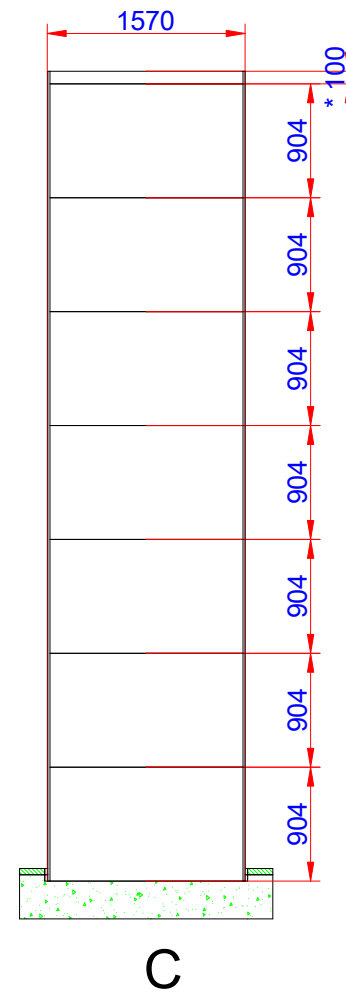
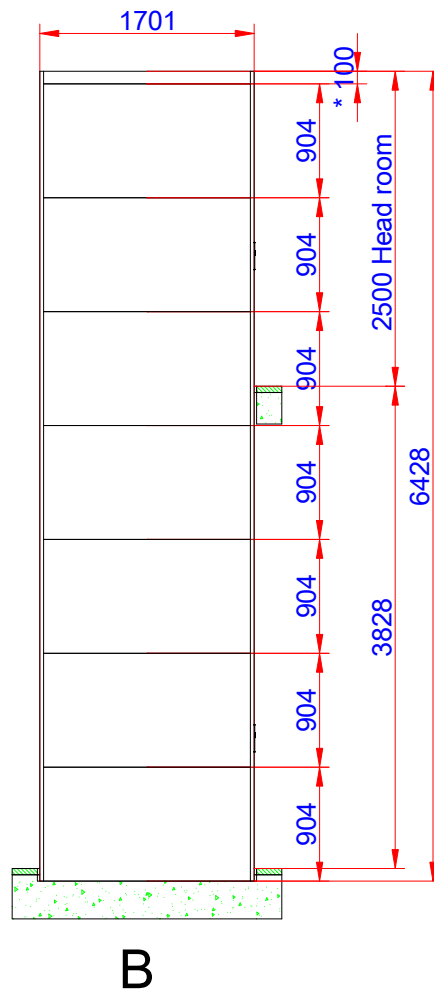
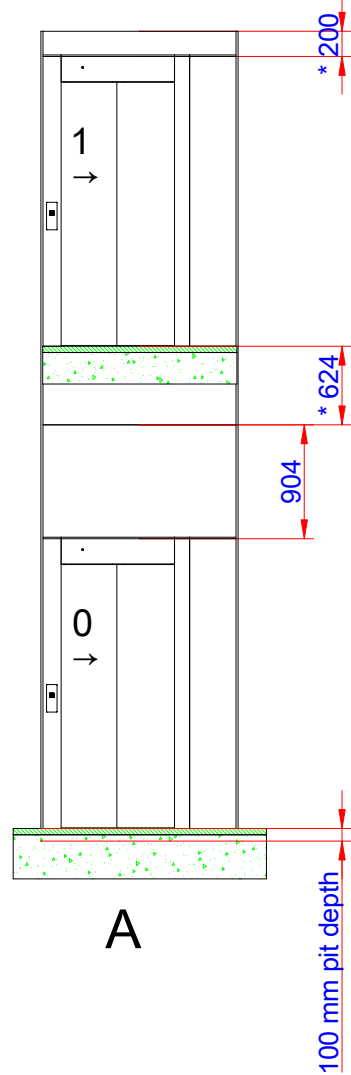
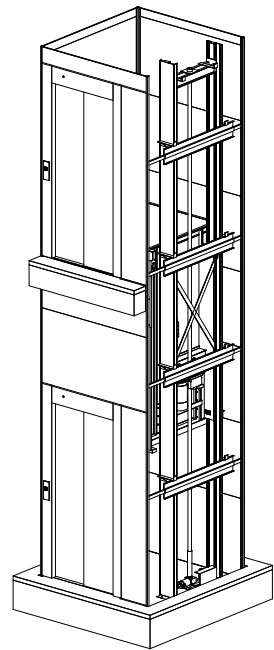
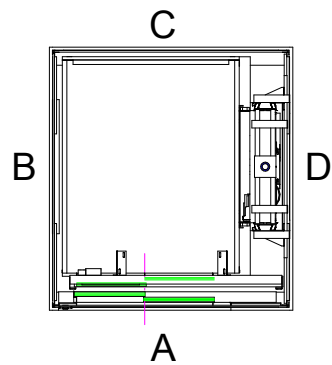


Lift overview

(Cutout dimension see sheet 2, forces see sheet 3
detailed installation information, see separate instructions)



Positioning of machinery:



*Panel to be adapted on site
**Customized panel

Do not use the factory supplied shaft as a fixing structure for other objects

Specification
4 kW Frekv 3x400V 50-60 Hz Soft
Capacity: 630,00 kg

Approved by
builder:

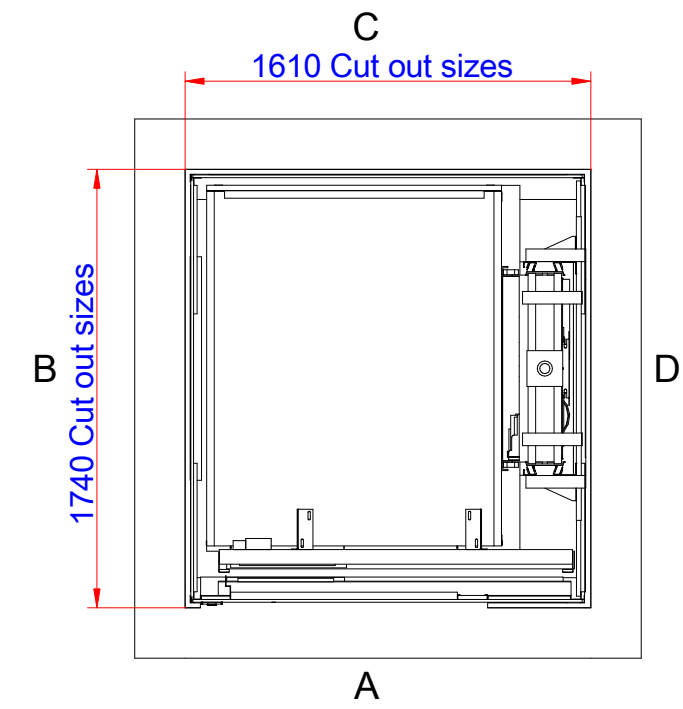
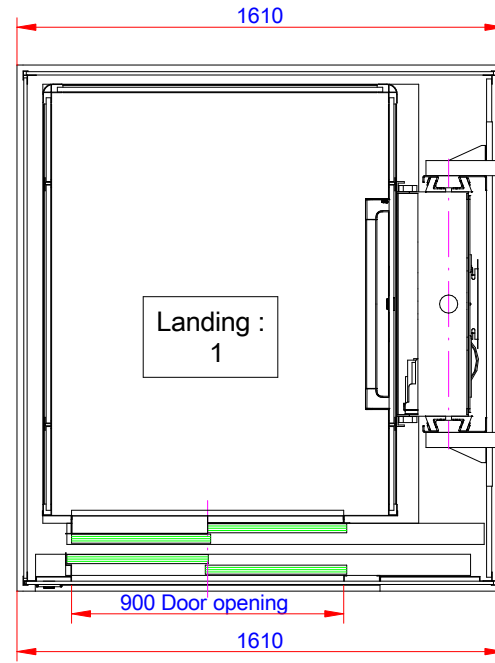
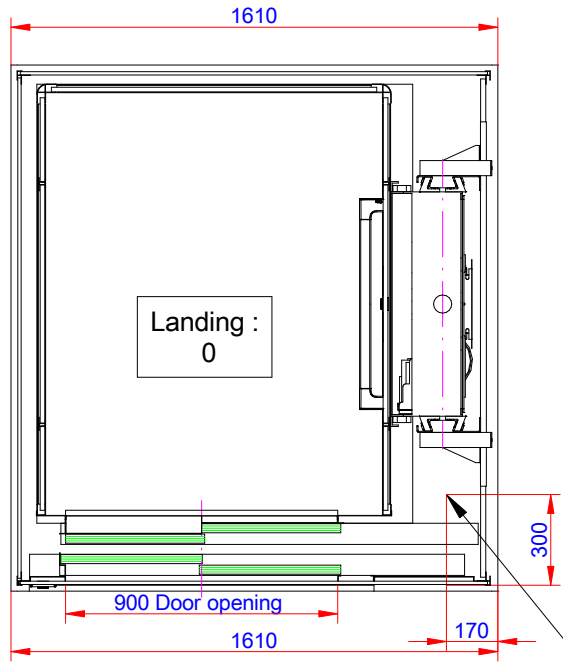
European view placement:



EOS ID	Principal drawing C1-Pure - 1100*1400 Lift overview		
Tender no			
Order no			
Gen. Tolerances	Date	sheet	Scale:
SS-ISO 27681-1 m		1 of 6	A3, 1:60

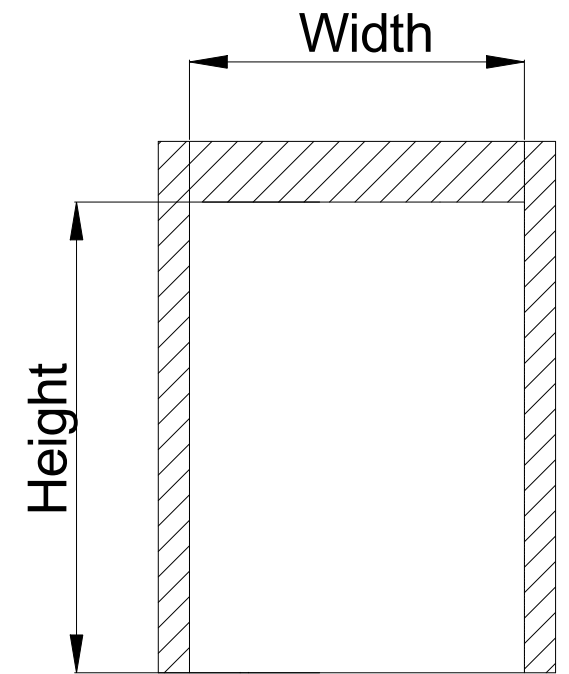
Principal drawing C1-Pure - 1100*1400 Lift overview			
Date	sheet	Scale:	
	1 of 6	A3, 1:60	

Cutout sizes for shaft and doors



100 mm pit depth + 10 mm, - 0 mm. Bottom surface must be flat

Power supply & telephone cable connection point



Door front cutout sizes			
Landing	Door type	Width	Height
A 0	CS0	1610	2300
A 1	CS0	1610	2300

Door cut out

Do not use the factory supplied shaft as a fixing structure for other objects

Approved by builder:

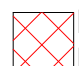
European view placement:

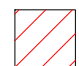


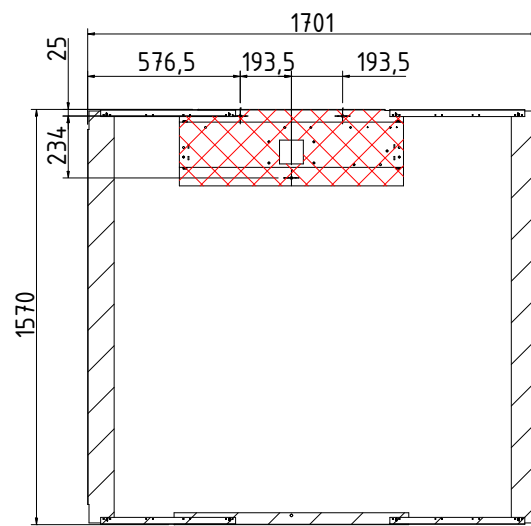
EOS ID		Principal drawing C1-Pure - 1100*1400 Cut out sizes	
Tender no			
Order no			
Gen. Tolerances SS-ISO 27681-1 m	Date	sheet 2 of 6	Scale: A3, 1:60

Loads and forces in pit and on fixing points

Loads sustained by shaft and platform and fixing points bottom frame

 Mast load: 61,26 kN/m²
 Mast force: 13,17 kN
 Weight on mast area: 1317

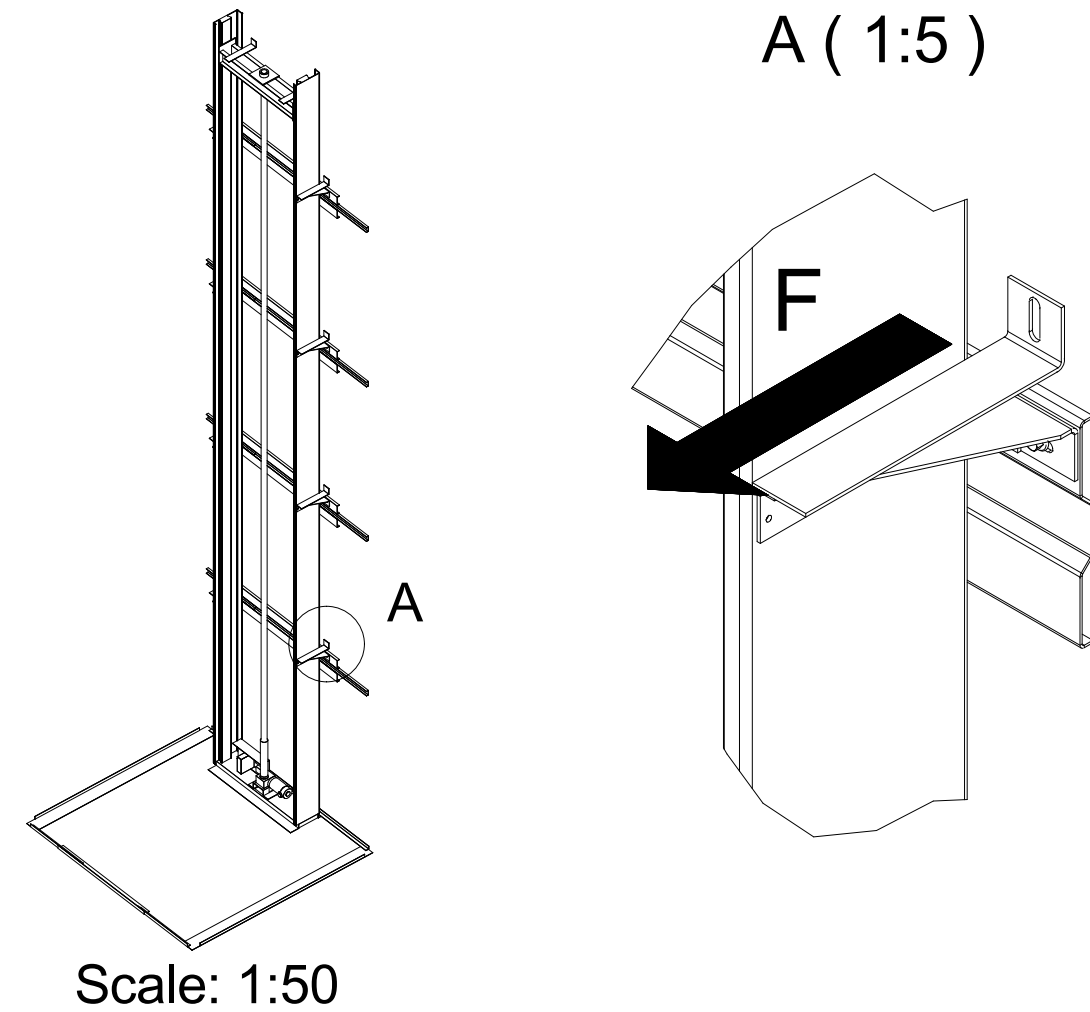
 L section load 13,67 kN/m²
 L section force: 4,17 kN
 Weight on L-section area: 417
 Total weight of the lift equipment
 (including rated load): 1734 kg



Fixing points guiderail

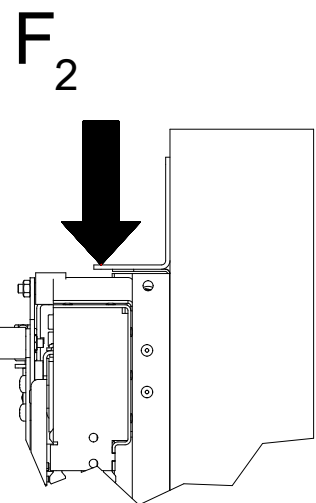
Forces:
Fixing points shaft F: 3800 N

Recommended positioning of fixing points, general view

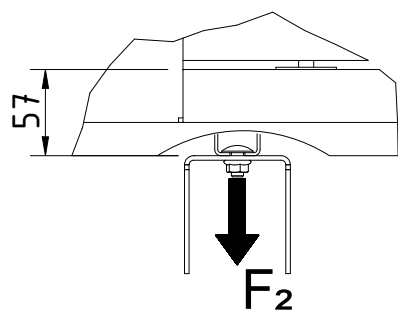


Fixing points Shaft Doors

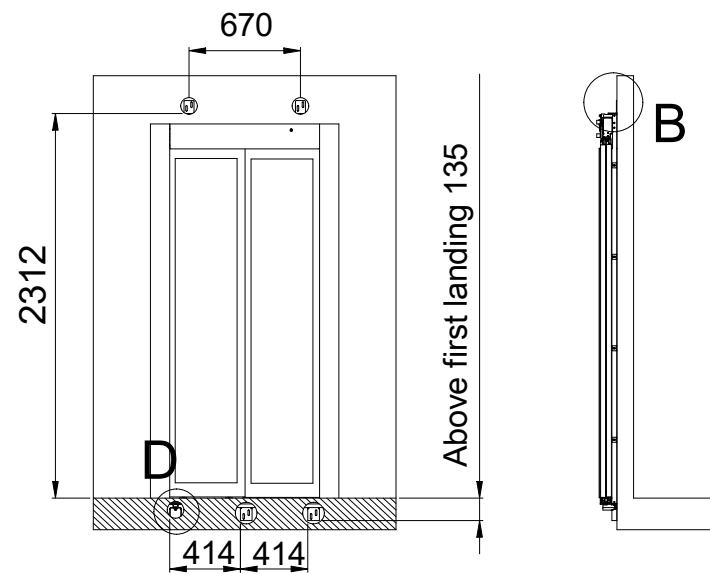
B (1:10)



Landing door fixing points. Number of fixing points: 5
Fixing points landing door F₂: 1400 N

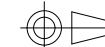


D (1:10)



Approved by
builder:

European view placement:

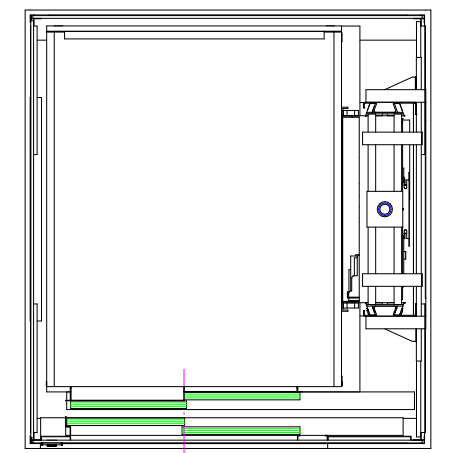
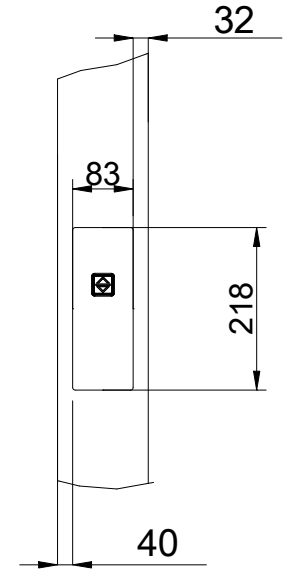
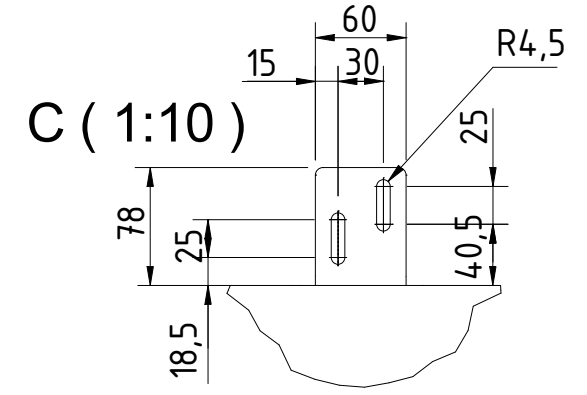
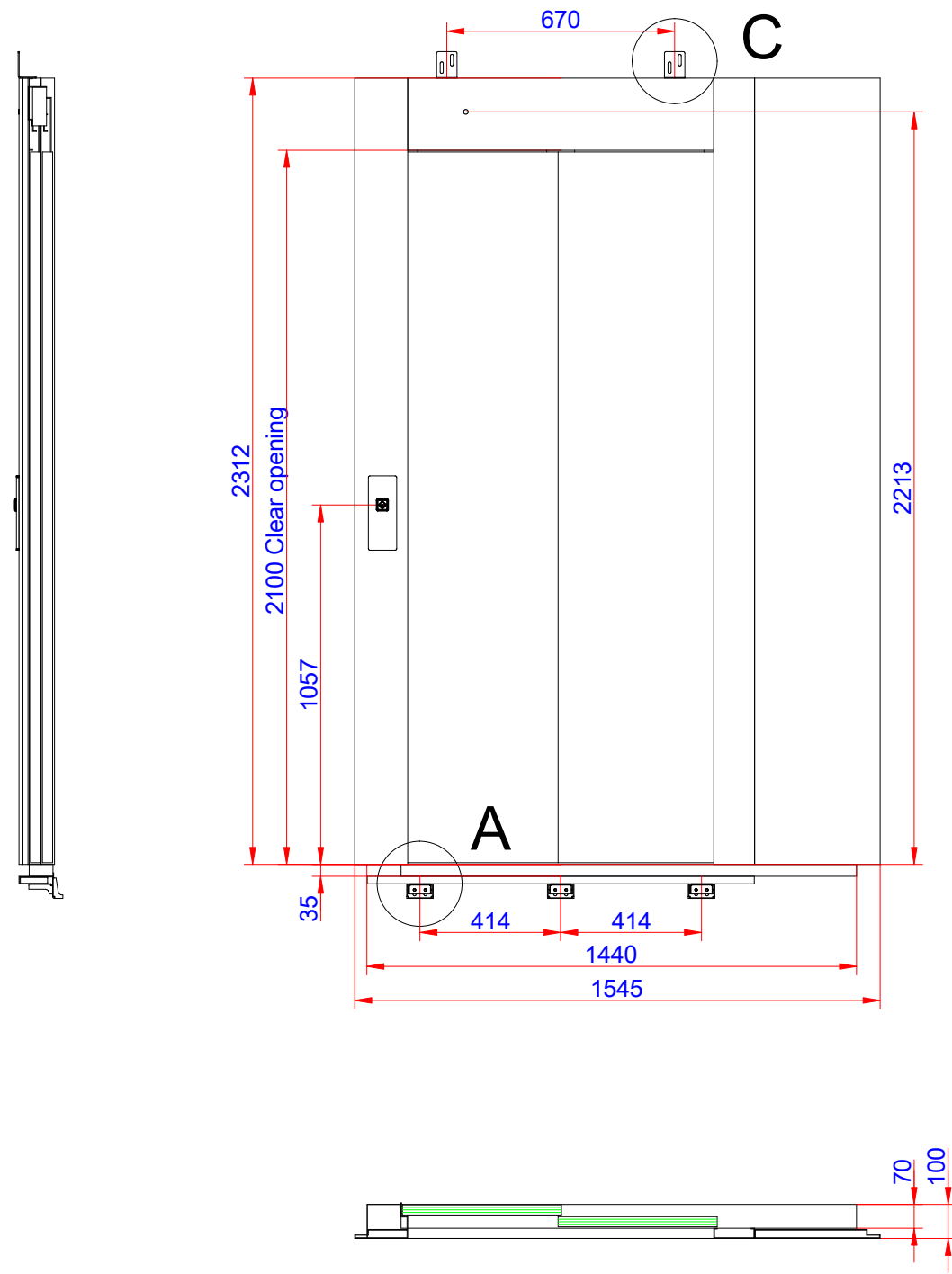


Cibăș

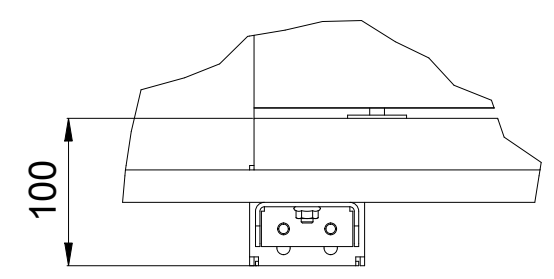
Do not use the factory supplied shaft as a fixing structure for other objects

EOS ID	Principal drawing		
Tender no	C1-Pure - 1100*1400		
Order no	Loads and forces		
Gen. Tolerances	Date	sheet	Scale:
SS-ISO 27681-1 m		3 of 6	A3, 1:60

Information for landing 0 and door(s) on landing



A (1:10)



Note for Detail A! When installation is performed inside a pit that is lower than 200 mm, a small bracket must be used fitted under the threshold. This bracket is supplied with the lift.

Do not use the factory supplied shaft as a fixing structure for other objects

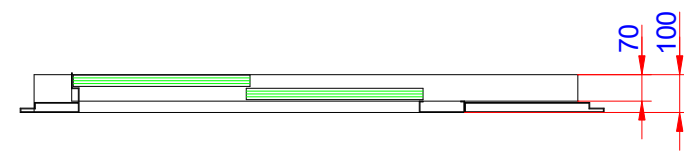
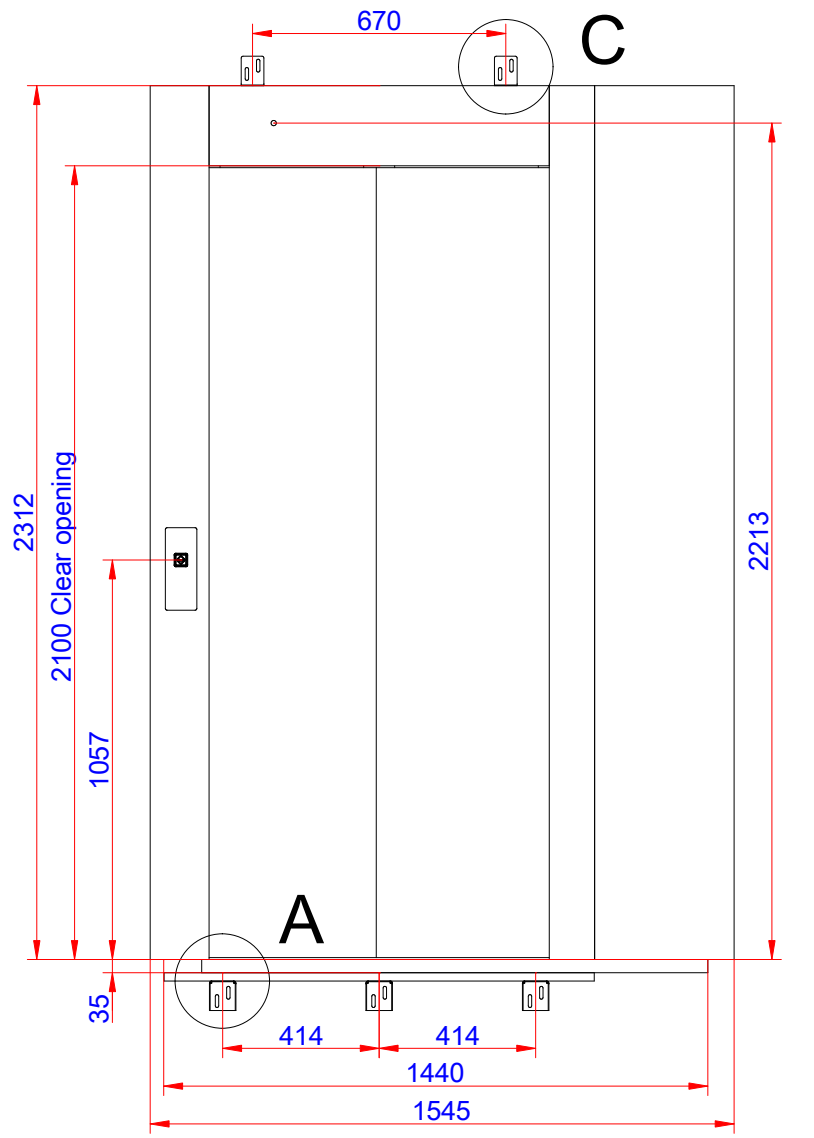
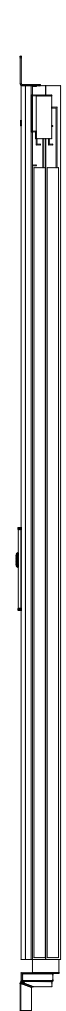
Approved by builder:

European view placement:

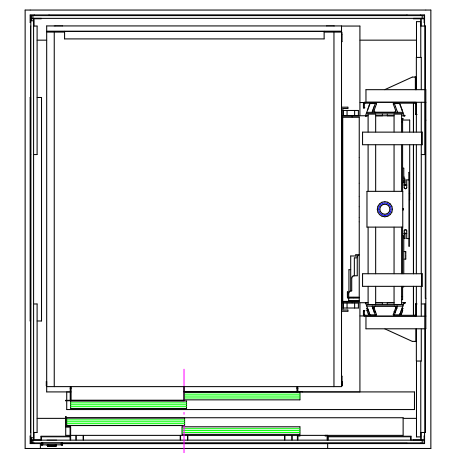
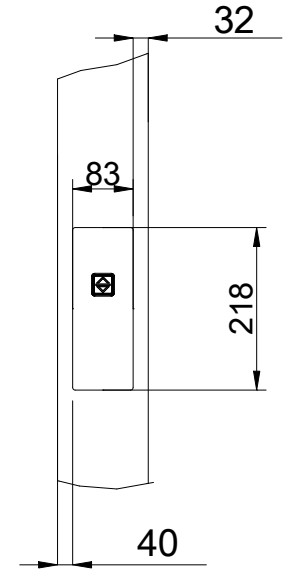
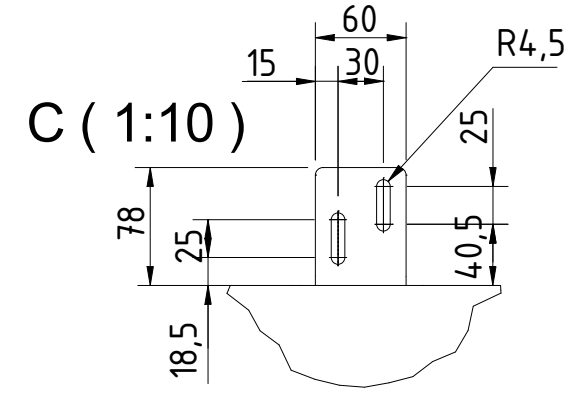
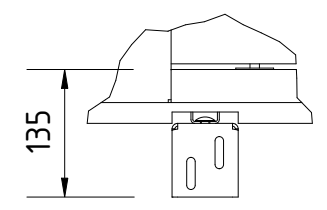


EOS ID	Principal drawing		
Tender no	C1-Pure - 1100*1400		
Order no	Landing information		
Gen. Tolerances	Date	sheet	Scale:
SS-ISO 27681-1 m		4 of 6	A3, 1:60

Information for landing 1 and door(s) on landing



A (1:10)



Do not use the factory supplied shaft as a fixing structure for other objects

Approved by builder:

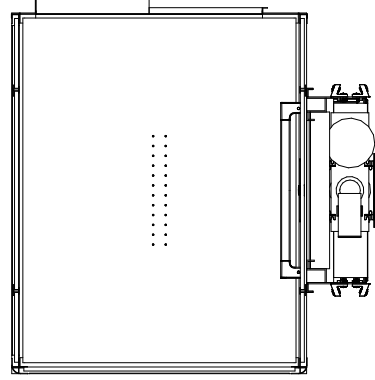


European view placement:

EOS ID		Principal drawing C1-Pure - 1100*1400 Landing information	
Tender no			
Order no			
Gen. Tolerances	Date	sheet	Scale:
SS-ISO 27681-1 m		5 of 6	A3, 1:60

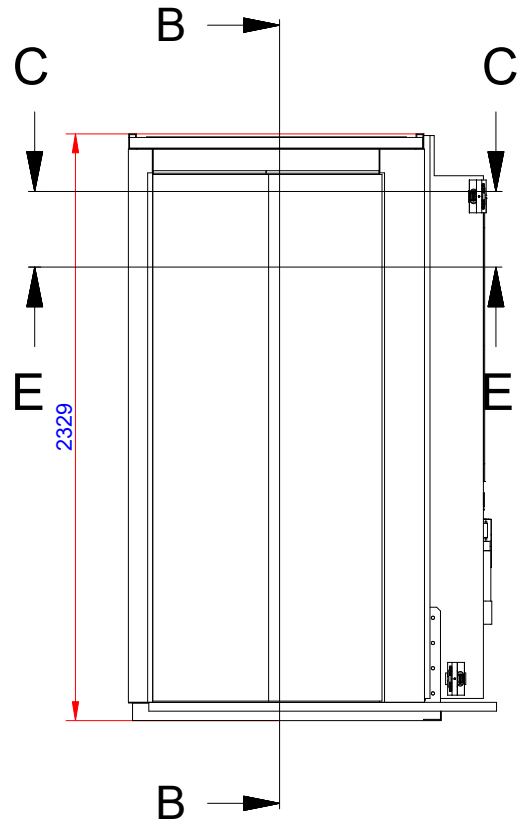
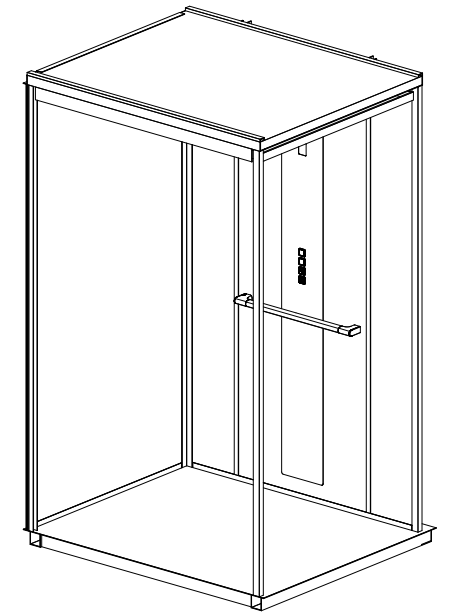
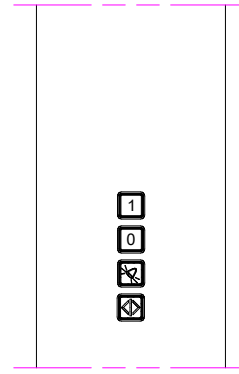
Cabin layout

E-E (1:30)

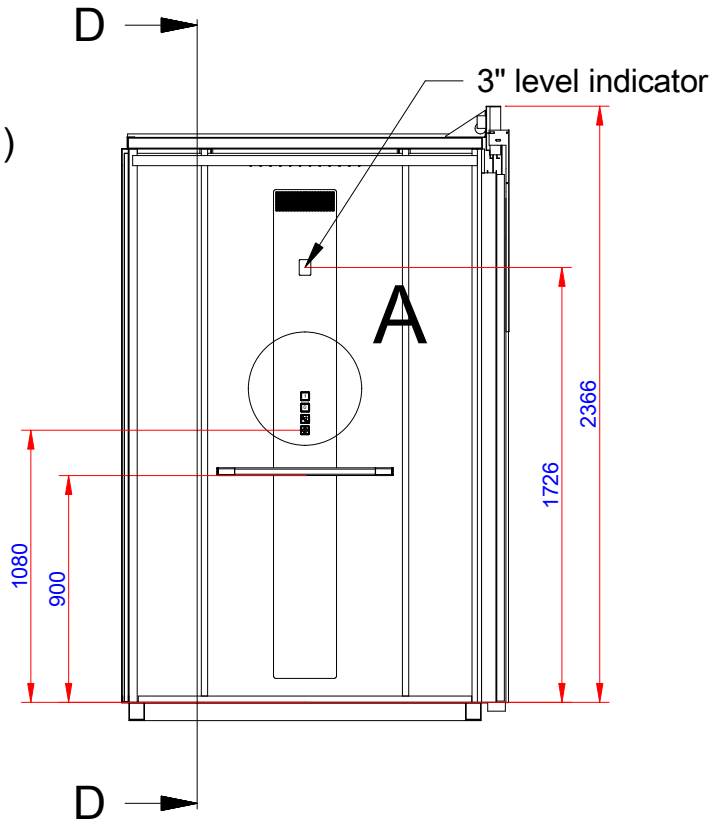


Button layout

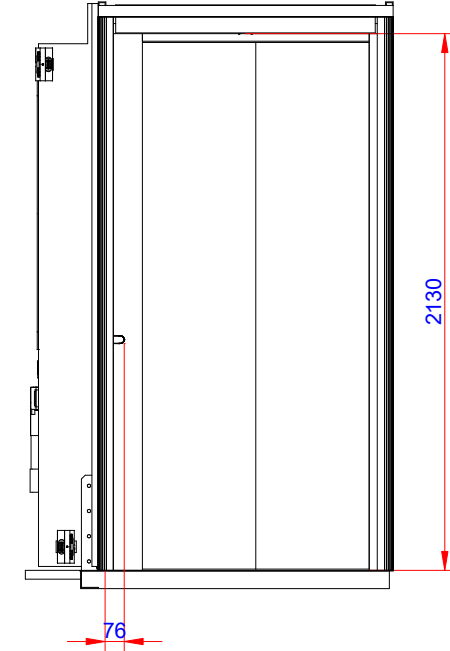
A (1:10)



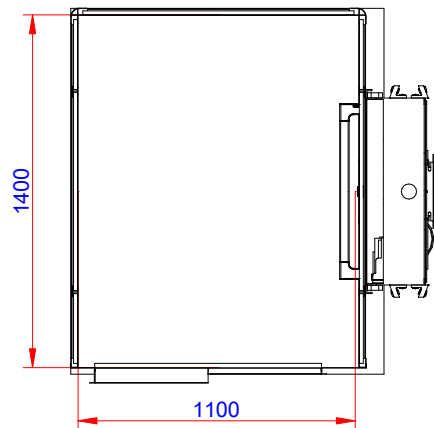
B-B (1:30)



D-D (1:30)



Cabin dimensions
C-C (1:30)



Do not use the factory supplied shaft as a fixing structure for other objects

Approved by
builder:

European view placement:



EOS ID

Tender no

Order no

Gen. Tolerances

SS-ISO 27681-1 m

Principal drawing
C1-Pure - 1100*1400
Cabin layout

Date

sheet

6 of 6

Scale:

A3, 1:60