

Lift overview

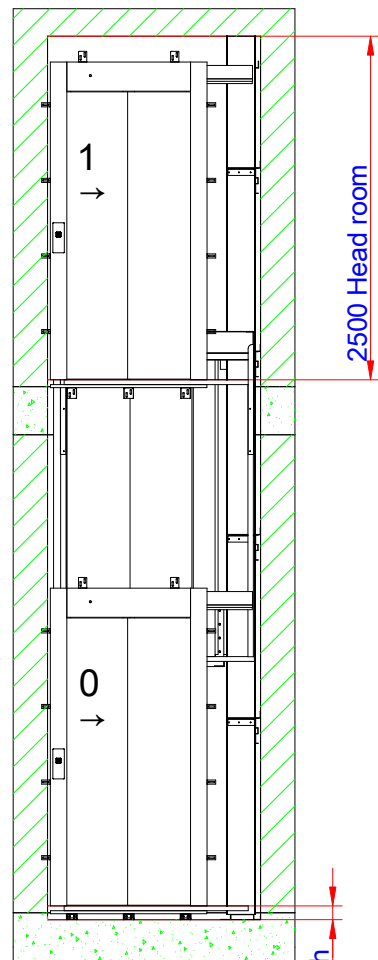
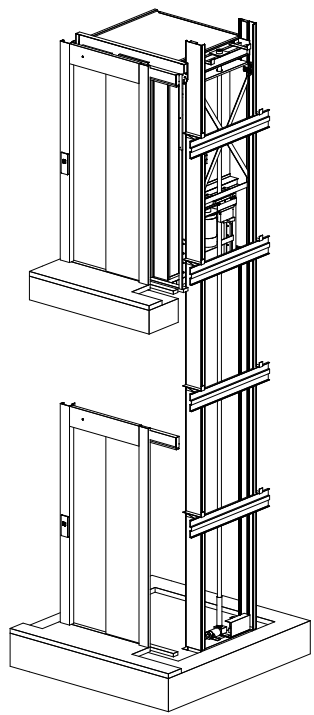
(Cutout dimension see sheet 2, forces see sheet 3
detailed installation information, see separate instructions)

D

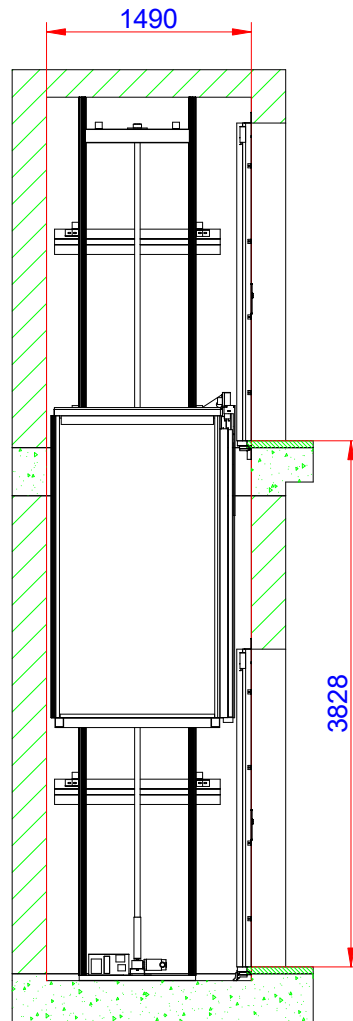
C

B

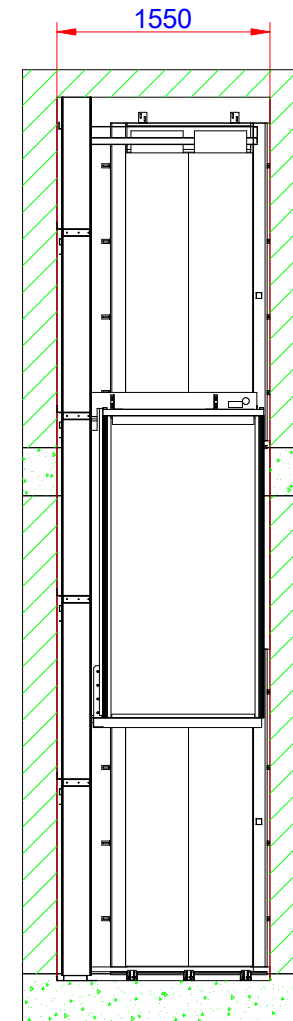
A



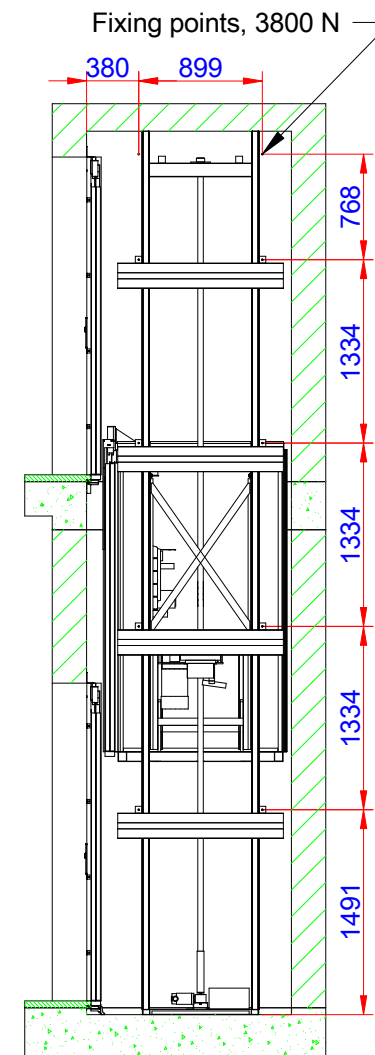
A



B

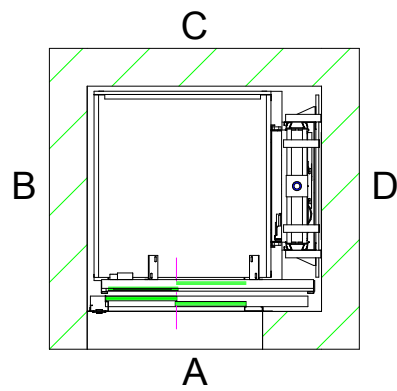


C



D

Positioning of machinery:



Lift unit installed within a shaft by others

Specification
4 kW Frekv 3x400V 50-60 Hz Soft
Capacity: 525,00 kg

Approved by
builder:

European view placement:



EOS ID

Tender no

Order no

Gen. Tolerances

SS-ISO 27681-1 m

Principal drawing
C1-Pure - 1100*1200
Lift overview

Date

sheet

1 of 6

Scale:

A3, 1:1

6

5

4

3

2

1

6

5

4

3

2

1

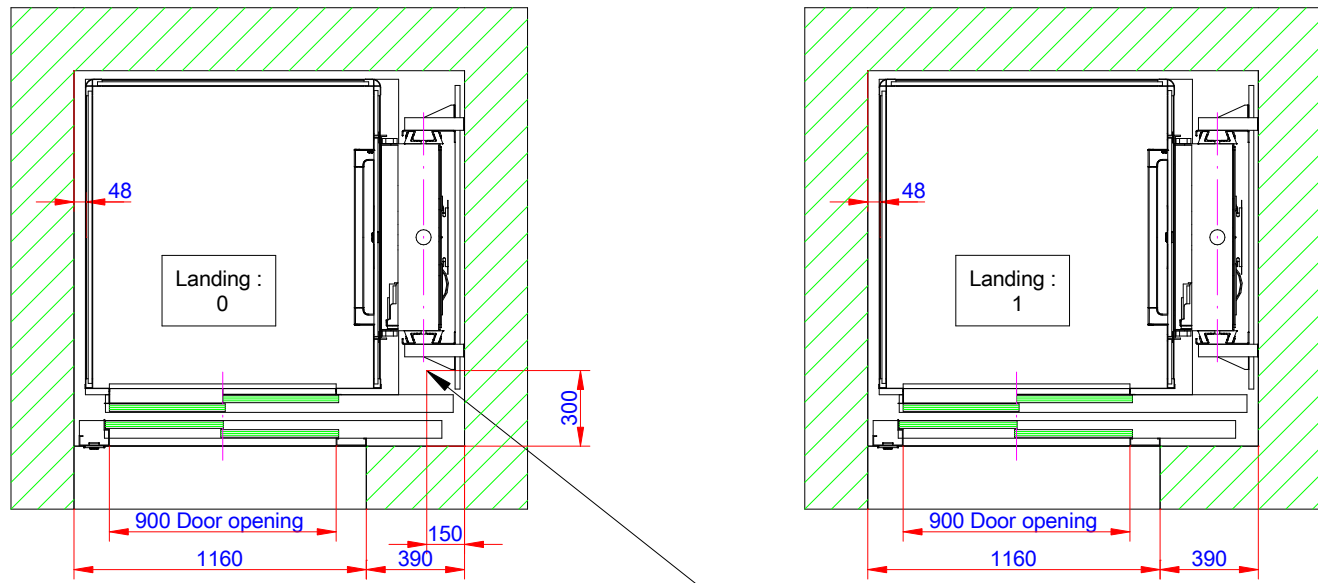
D

C

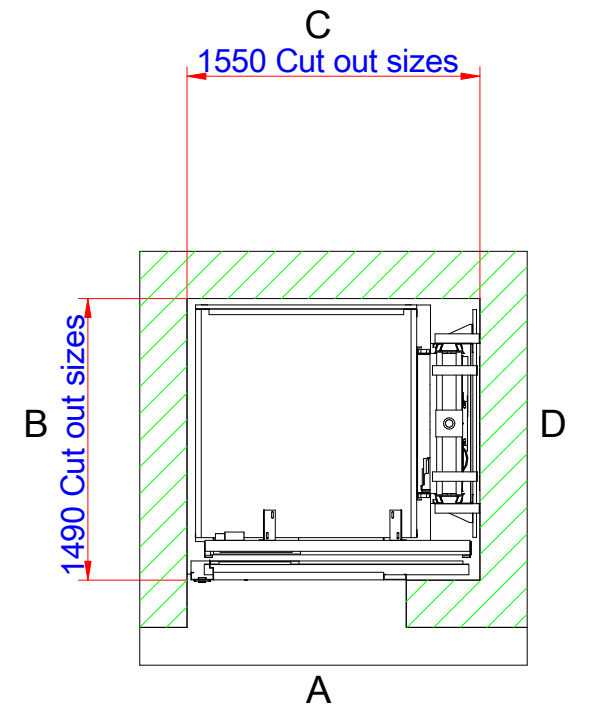
B

A

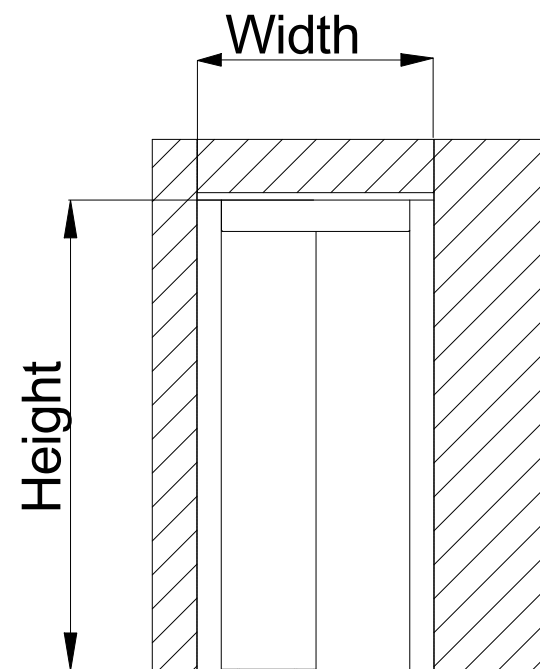
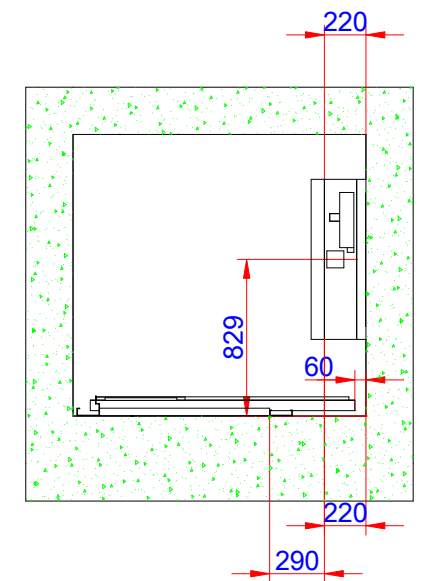
Cutout sizes for shaft and doors



Power supply & telephone cable connection point



100 mm pit depth + 10 mm, - 0 mm. Bottom surface must be flat



Door cut out

Door front cutout sizes			
Landing	Door type	Width	Height
A 0	CS0	1160	2300
A 1	CS0	1160	2300

Approved by builder:

European view placement:

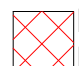



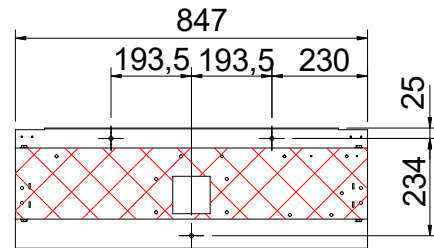
EOS ID
Tender no
Order no
Gen. Tolerances
SS-ISO 27681-1 m

Principal drawing
C1-Pure - 1100*1200
Cut out sizes
Date
sheet 2 of 6
Scale: A3, 1:1

Loads and forces in pit and on fixing points

Loads sustained by shaft and platform and fixing points bottom frame

 Mast load: 54,98 kN/m²
 Mast force: 11,82 kN
 Weight on mast area: 1182



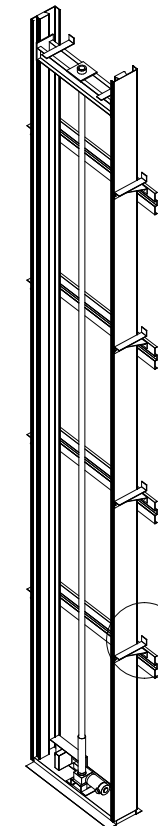
Scale: 1:20

Fixing points guiderail

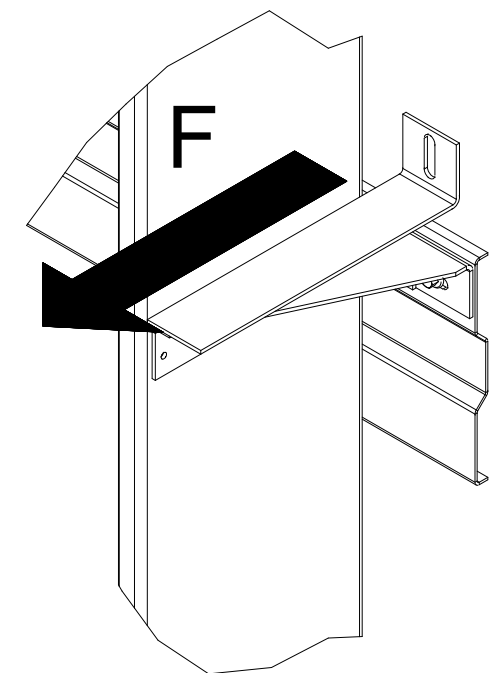
Forces:
 Fixing points shaft F: 3800 N

Recommended positioning of fixing points, general view

A (1:5)



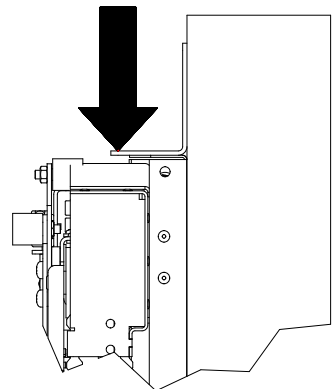
Scale: 1:50



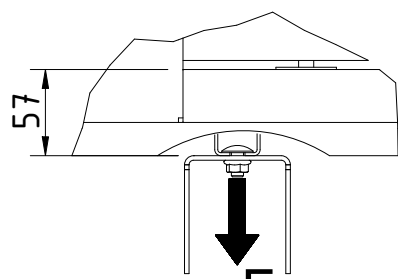
Fixing points Shaft Doors

B (1:10)

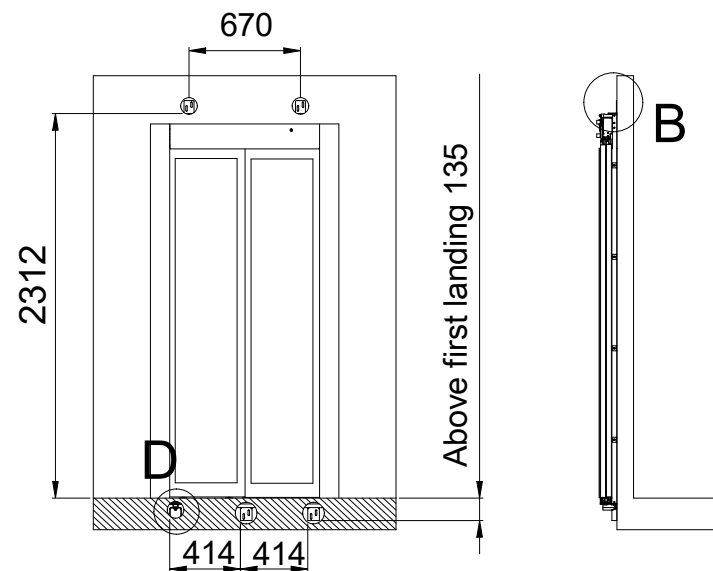
F₂



Landing door fixing points. Number of fixing points: 5
 Fixing points landing door F₂: 1400 N



D (1:10)



Above first landing 135

Approved by
builder:

European view placement:



EOS ID

Tender no

Order no

Gen. Tolerances

SS-ISO 27681-1 m

Principal drawing

C1-Pure - 1100*1200

Loads and forces

Date

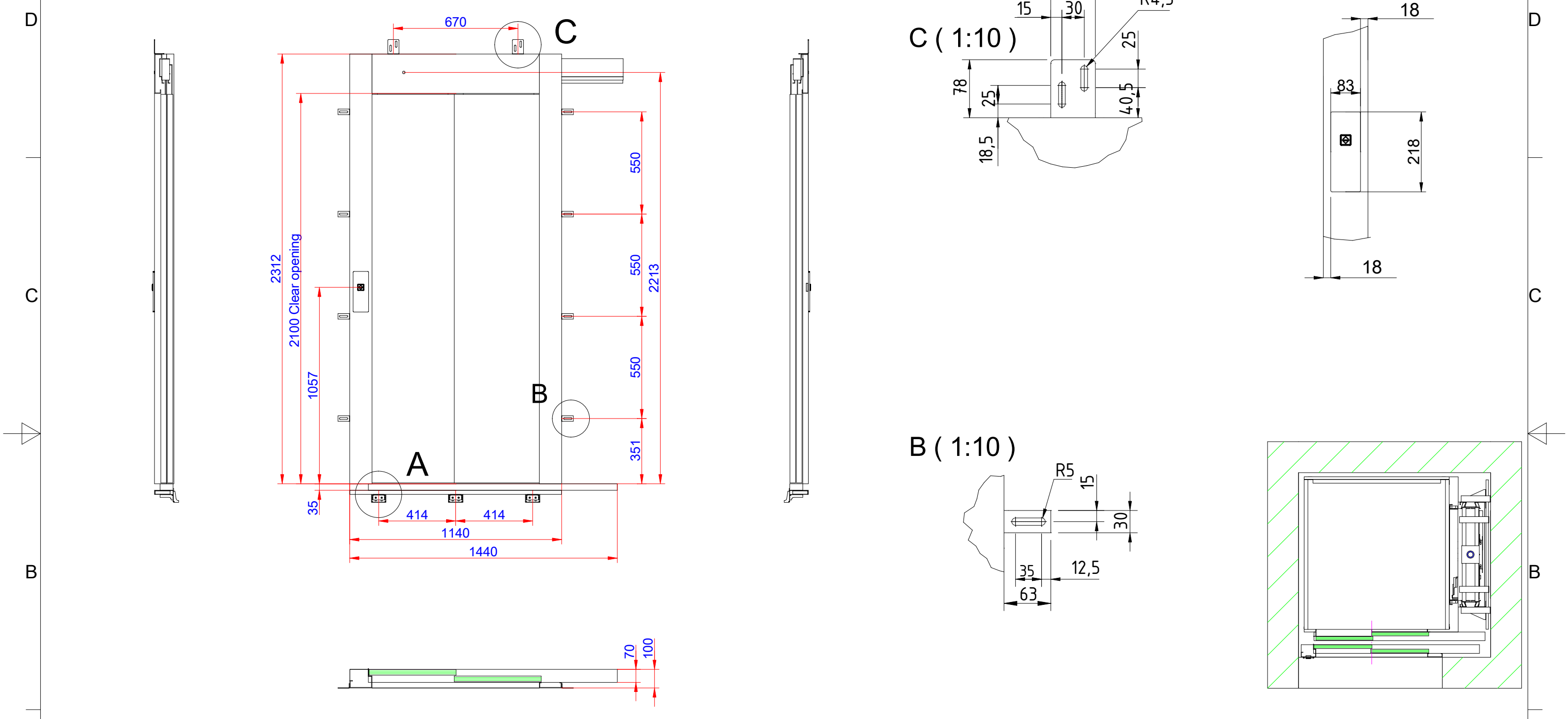
sheet

3 of 6

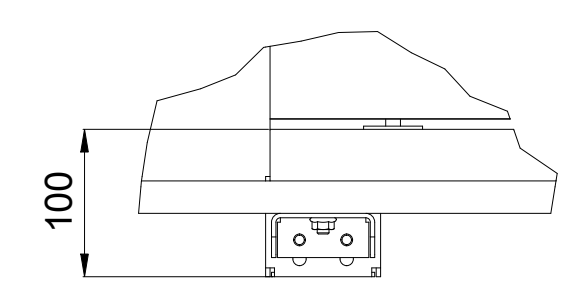
Scale:

A3, 1:1


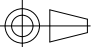
Information for landing 0 and door(s) on landing



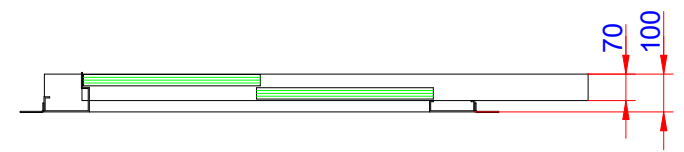
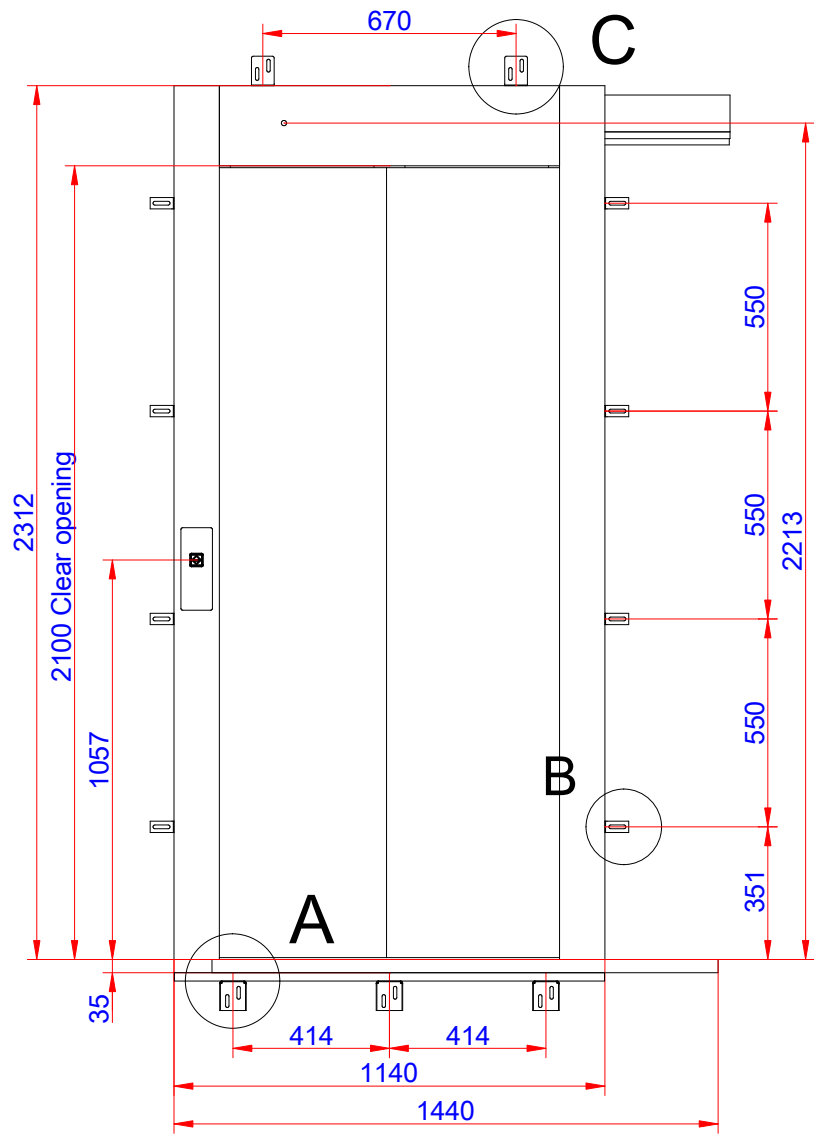
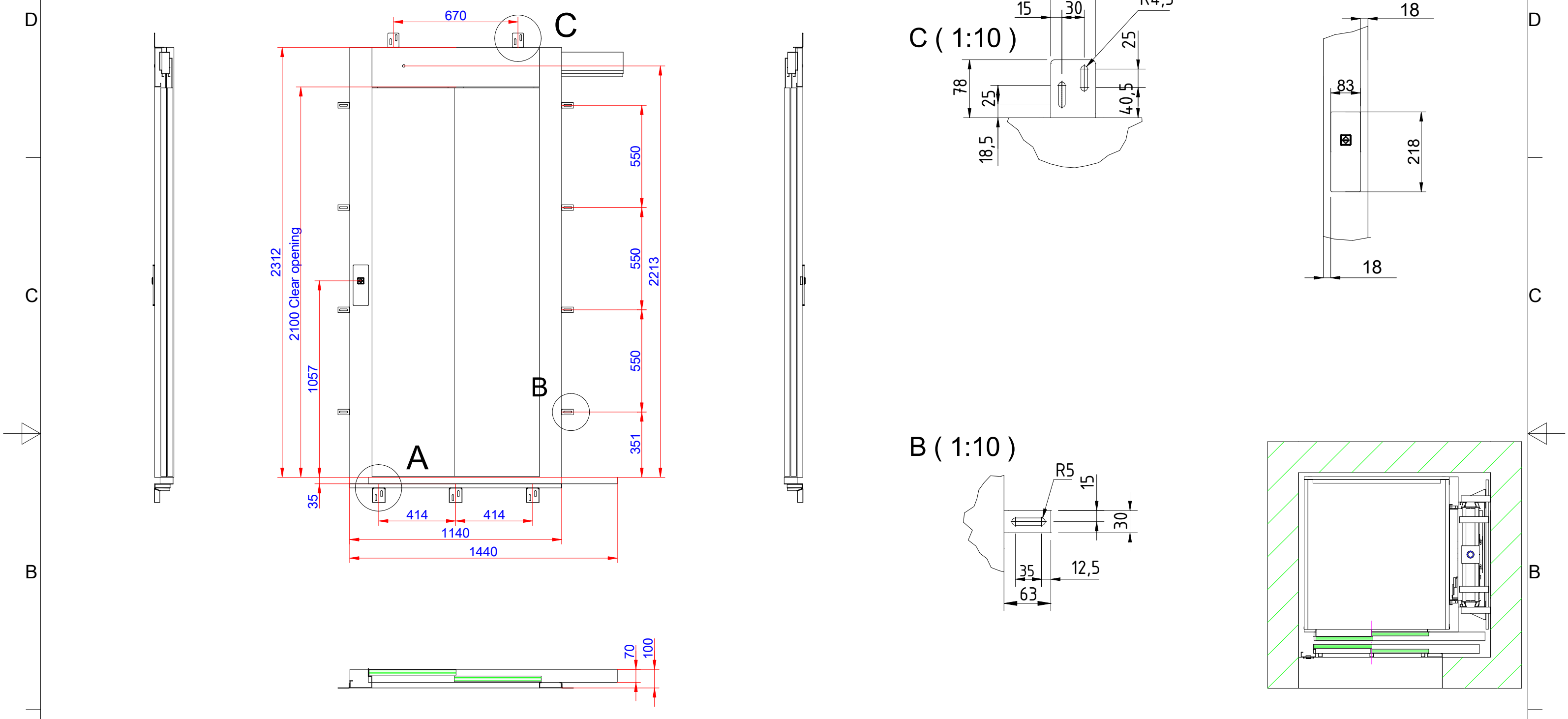
A (1:10)



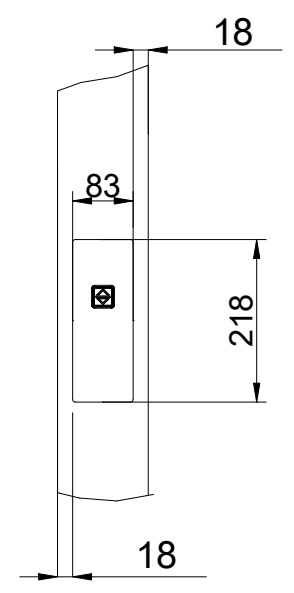
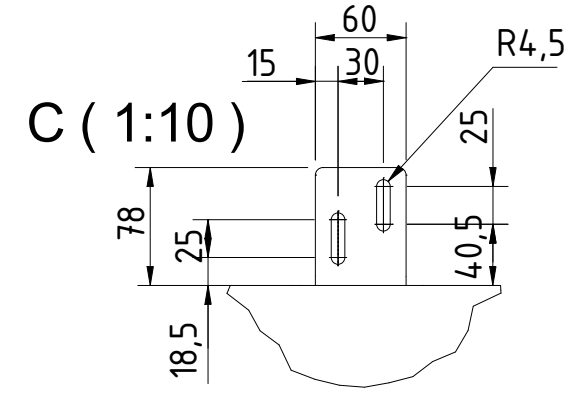
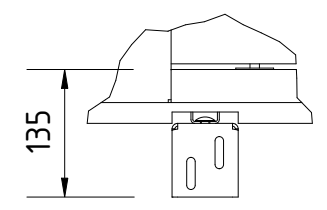
Note for Detail A! When installation is performed inside a pit that is lower than 200 mm, a small bracket must be used fitted under the threshold. This bracket is supplied with the lift.

Approved by builder: _____			EOS ID	
			Tender no	
European view placement: 	Order no		Principal drawing	
	Gen. Tolerances SS-ISO 27681-1 m		Date	sheet 4 of 6

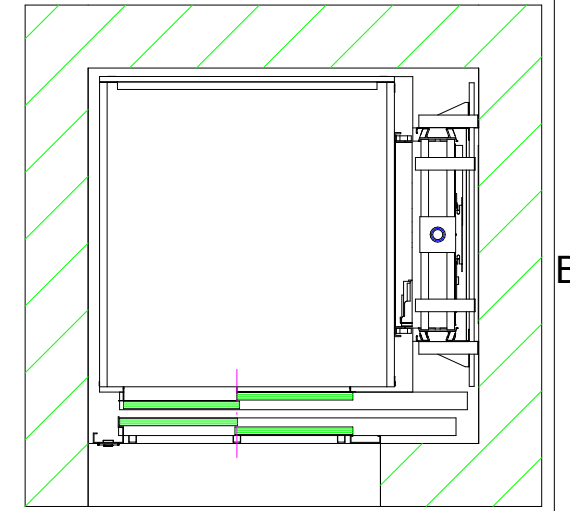
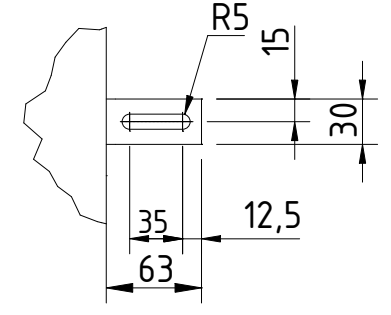
Information for landing 1 and door(s) on landing



A (1:10)



B (1:10)



Approved by
builder:

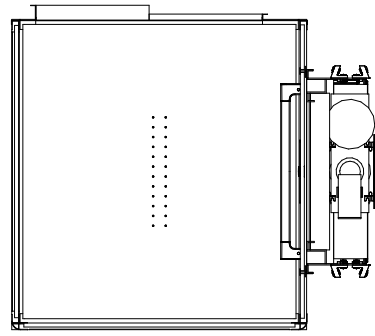
European view placement:



EOS ID		Principal drawing C1-Pure - 1100*1200 Landing information	
Tender no			
Order no			
Gen. Tolerances SS-ISO 27681-1 m	Date	sheet 5 of 6	Scale: A3, 1:1

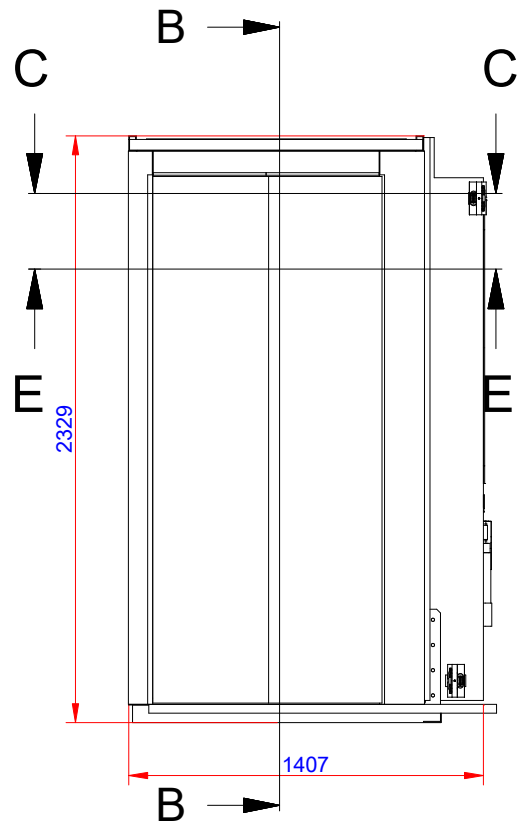
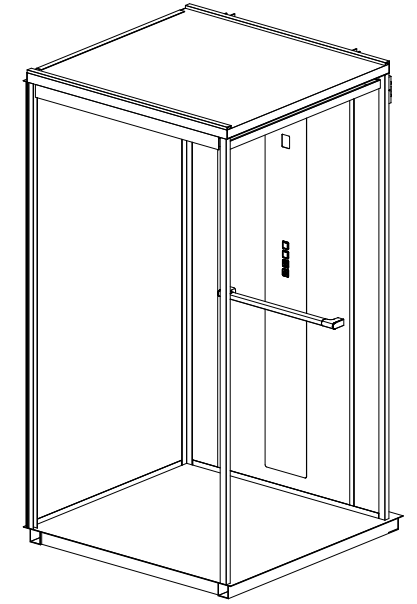
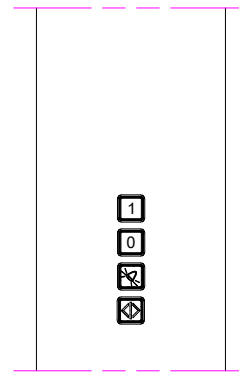
Cabin layout

E-E (1:30)

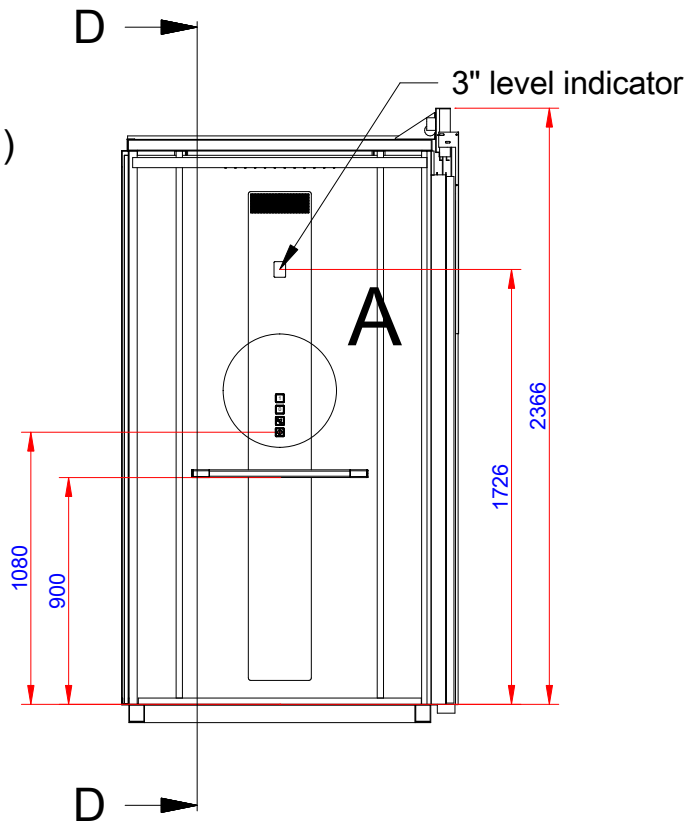


Button layout

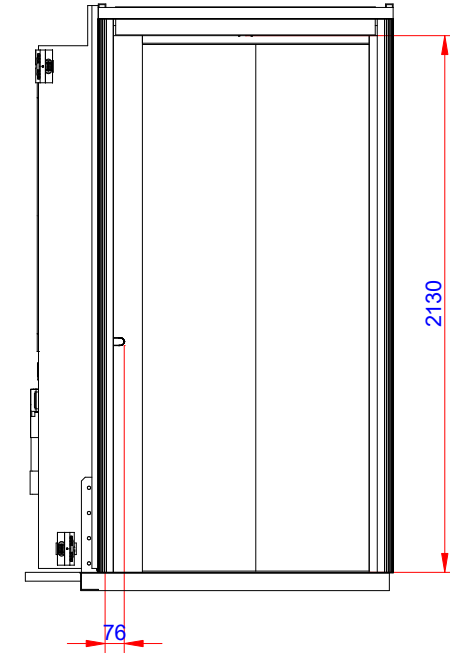
A (1:10)



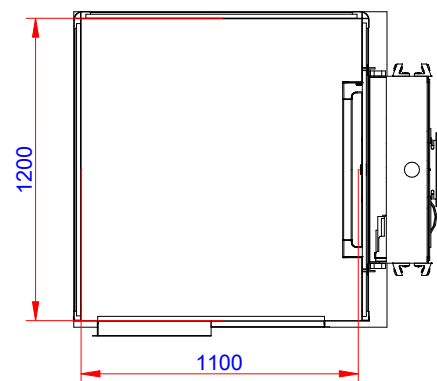
B-B (1:30)



D-D (1:30)



Cabin dimensions
C-C (1:30)



Approved by
builder:

European view placement:



EOS ID

Tender no

Order no

Gen. Tolerances

SS-ISO 27681-1 m

Principal drawing
C1-Pure - 1100*1200
Cabin layout

Date

sheet

6 of 6

Scale:

A3, 1:1